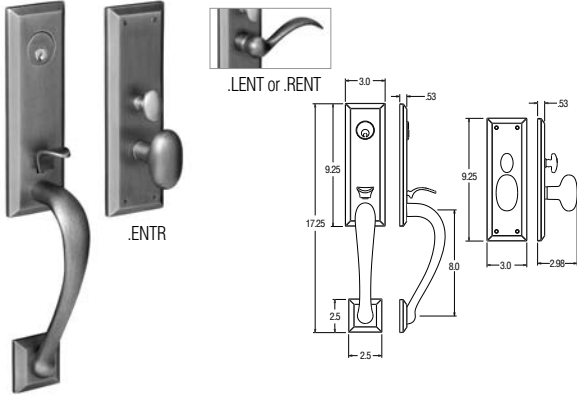


# IMAGES – HANDLESETS, MORTISE

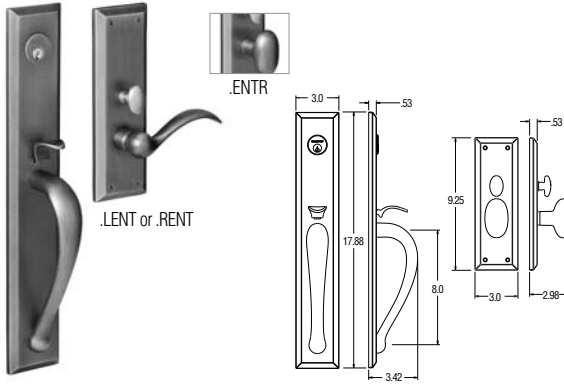
Cody 3/4 Escutcheon Trim  
w/ 5432 knob or 5452 lever



tem #	Function	031, 050, 102 112, 150, 151 190, 260, 264	003, 055, 056 402, 412 432, 452
M502.xxx.ENTR	Cody 3/4 Escutcheon w/ Knob – Entry	\$493	509
M502.xxx.FD	Cody 3/4 Escutcheon w/ Knob – Dummy	493	509
M502.xxx.LENT	Cody 3/4 Escutcheon w/ Lever – LH Entry	493	509
M502.xxx.RENT	Cody 3/4 Escutcheon w/ Lever – RH Entry	493	509
M502.xxx.RFD	Cody 3/4 Escutcheon w/ Lever – RH Dummy	493	509
M502.xxx.LFD	Cody 3/4 Escutcheon w/ Lever – LH Dummy	493	509

Lock must be purchased separately.

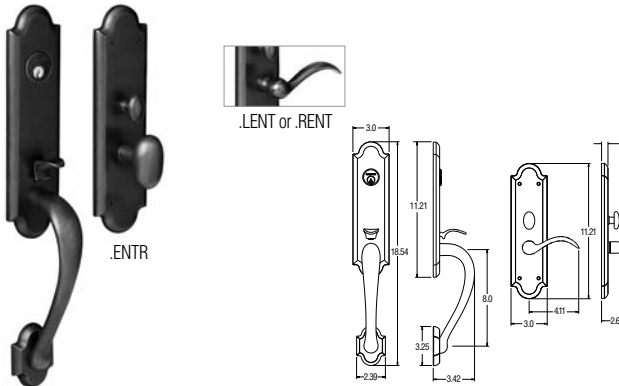
Cody Full Escutcheon Trim  
w/ 5432 knob or 5452 lever



tem #	Function	031, 050, 102 112, 150, 151 190, 260, 264	003, 055, 056 402, 412 432, 452
M504.xxx.ENTR	Cody Full Escutcheon w/ Knob – Entry	\$520	550
M504.xxx.FD	Cody Full Escutcheon w/ Knob – Dummy	520	550
M504.xxx.LENT	Cody Full Escutcheon w/ Lever – LH Entry	520	550
M504.xxx.RENT	Cody Full Escutcheon w/ Lever – RH Entry	520	550
M504.xxx.RFD	Cody Full Escutcheon w/ Lever – RH Dummy	520	550
M504.xxx.LFD	Cody Full Escutcheon w/ Lever – LH Dummy	520	550

Lock must be purchased separately.

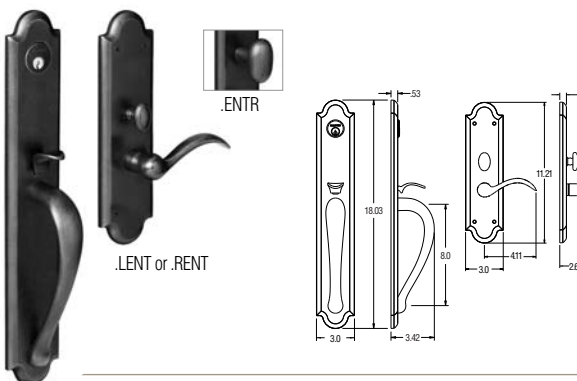
Boulder 3/4 Escutcheon Trim  
w/ 5432 knob or 5452 lever



tem #	Function	031, 050, 102 112, 150, 151 190, 260, 264	003, 055, 056 402, 412 432, 452
M512.xxx.ENTR	Boulder 3/4 Escutcheon w/ Knob – Entry	\$493	509
M512.xxx.FD	Boulder 3/4 Escutcheon w/ Knob – Dummy	493	509
M512.xxx.LENT	Boulder 3/4 Escutcheon w/ Lever – LH Entry	493	509
M512.xxx.RENT	Boulder 3/4 Escutcheon w/ Lever – RH Entry	493	509
M512.xxx.RFD	Boulder 3/4 Escutcheon w/ Lever – RH Dummy	493	509
M512.xxx.LFD	Boulder 3/4 Escutcheon w/ Lever – LH Dummy	493	509

Lock must be purchased separately.

Boulder Full Escutcheon Trim  
w/ 5432 knob or 5452 lever



tem #	Function	031, 050, 102 112, 150, 151 190, 260, 264	003, 055, 056 402, 412 432, 452
M514.xxx.ENTR	Boulder Full Escutcheon w/ Knob – Entry	\$520	550
M514.xxx.FD	Boulder Full Escutcheon w/ Knob – Dummy	520	550
M514.xxx.LENT	Boulder Full Escutcheon w/ Lever – LH Entry	520	550
M514.xxx.RENT	Boulder Full Escutcheon w/ Lever – RH Entry	520	550
M514.xxx.RFD	Boulder Full Escutcheon w/ Lever – RH Dummy	520	550
M514.xxx.LFD	Boulder Full Escutcheon w/ Lever – LH Dummy	520	550

Lock must be purchased separately.

# IMAGES – ORDERING IMAGES MORTISE

## 1. Pick Your Handleset Trim, w/ knob or lever:

M502 – Boulder 3/4 Escutcheon Trim  
 M504 – Boulder Full Escutcheon Trim  
 M512 – Cody 3/4 Escutcheon Trim  
 M514 – Cody Full Escutcheon Trim

EXAMPLE:

**M502 . XXX . ENTR**

M = MORTISE FUNCTION    XXX = FINISH    ENTR = ENTRANCE FUNCTION, W/ OVAL KNOB

502 = CODY 3/4 PLATE TRIM

## 3. Pick Your Cylinder:

DOOR THICKNESS	1.375" (35MM)	1.75" (44MM)
Cylinder Length	1.25"	1.5"
Cylinder	8323.xxx	8325.xxx

DOOR THICKNESS	2" (51MM)	2.25" (57MM)
Cylinder Length	1.625"	1.75"
Cylinder	8326.xxx	8327.xxx

## 2. Pick Your Mortise Box:

BACKSET	DOOR THICKNESS	FUNCTION	MORTISE BOX	KNOB		LEVER	
				HANDING	PART NUMBER	HANDING	PART NUMBER
2.75"	1.75" and up	Residential Entrance	6020	R	6020.xxxR	RLS	6020.xxx.RLS
				L	6020.xxxL	LLS	6020.xxx.LLS
		Emergency Egress	RR	6020.xxxRR	RRLS	6020.xxx.RRLS	
			LR	6020.xxxLR	LRLS	6020.xxx.LRLS	
2.75"	1.75" and up	Residential Entrance	6021	R	6021.xxxR	RLS	6021.xxx.RLS
				L	6021.xxxL	LLS	6021.xxx.LLS
		Emergency Egress	RR	6021.xxxRR	RRLS	6021.xxx.RRLS	
			LR	6021.xxxLR	LRLS	6021.xxx.LRLS	
2.5"	1.375/1.75 and up	Residential Entrance	6320	R	6320.xxxR	RLS	6320.xxx.RLS
				L	6320.xxxL	LLS	6320.xxx.LLS
		Emergency Egress	RR	6320.xxxRR	RRLS	6320.xxx.RRLS	
			LR	6320.xxxLR	LRLS	6320.xxx.LRLS	
2.5"	1.375/1.75 and up	Residential Entrance	6321	R	6321.xxxR	RLS	6321.xxx.RLS
				L	6321.xxxL	LLS	6321.xxx.LLS
		Emergency Egress	RR	6321.xxxRR	RRLS	6321.xxx.RRLS	
			LR	6321.xxxLR	LRLS	6321.xxx.LRLS	

Right hand = R    Right hand reverse bevel = RR    Right hand lever strength = RLS    Right hand reverse bevel lever strength = RRLS  
 Left hand = L    Left hand reverse bevel = LR    Left hand lever strength = LLS    Left hand reverse bevel lever strength = LRLS

NOTE: For doors > 1.75" thick and ≤ 2.25" thick, use Thick Door Kit 6501.000.A

Cylinder



tem #	Function	031, 050, 102 112, 150, 151 190, 260, 264	003, 055, 056
8323.xxx	1-1/4" Mortise cylinder C keyway	\$43	46
8325.xxx	1-1/2" Mortise cylinder C keyway	\$43	46
8326.xxx	1-5/8" Mortise cylinder C keyway	103	108
8327.xxx	1-3/4" Mortise cylinder C keyway	103	108

Mortise Lock



tem #	Function	050, 102, 112 150, 151, 190 260, 264	003, 055, 056
6020.xxx	2-3/4" Residential Entrance	\$299	317
6021.xxx	2-3/4" Residential Entrance – Emergency Egress	299	317
6320.xxx	2-1/2" Residential Entrance	299	317
6321.xxx	2-1/2" Residential Entrance – Emergency Egress	299	317

NOTE: Mortise locks and cylinders are not available in 402, 412, 432 or 452.  
 To match lock with distressed hardware, please use: 102 lock with 402 trim;  
 112 lock with 412 or 432 trim; 152 lock with 452 trim

Item #	Function	Finish	Price
6501.000.A	Thick Door Kit	000	\$5