

IMAGES – HANDLESETS, MECHANICAL FEATURES

ALL ENTRANCE LOCK SETS:

SOLID FORGED BRASS: Entrance handle, cylinder collar, knob, rose and turn piece are manufactured of solid forged brass for maximum strength and durability.

INSTALLATION: Images lock sets are designed for easy installation in standard pre-bored wood or metal doors. The adaptor aligns the latch with the trim. Graphic instructions make installation FAST!

DOOR THICKNESS: Lock sets accommodate a door thickness of 1-3/4" (44mm). Conversion kit available for 2" (51mm) and 2-1/4" (57mm) thick doors at an additional charge.

CASE: Deadbolt and latch case are formed of steel for strength. Most interior working parts are made of solid brass or steel for maximum strength and smooth operation.

BACKSET: Adjustable backset 2-3/8" (60mm) or 2-3/4" (70mm) latch and deadbolt supplied standard.

FACE PLATE: Deadbolt and latch supplied with a 1" (25mm) face plate.

STRIKE: Deadbolt is furnished with a specially designed reinforcing strike constructed of high grade steel for ultimate strength and durability. The strike is installed with two (2) 3" (76mm) security jamb screws and a dust box. The security strike is covered with an armored front to conceal the fasteners. The 3" screws securing the inside face of the double cylinder deadbolt resist tampering and guard against theft. Latches are supplied standard with a box strike (other strikes are available at an additional charge.)

BOLT: Deadbolt and latch bolt are constructed of solid brass. Deadbolt has 1" (25mm) throw when extended and a hardened steel insert for maximum protection and security. Latch bolt has a .5" (13mm) throw when extended to fully engage the door jamb.

KEYS: Designed with a 1-1/4" (32mm) wide bow surface.

PACKAGING: All products are packaged in contractor packaging unless noted.

SECTIONAL TRIM LOCK SETS:

FULLY REVERSIBLE: Accommodates most door conditions and facilitates installation.

DOOR THICKNESS: Lock sets accommodate a door thickness of 1-3/4" (44mm). Conversion kit available for 2" (51mm) and 2-1/4" (57mm) thick doors at an additional charge.

DISTANCE BETWEEN CENTER OF LATCH AND DEADBOLT (CTC): Lockset accommodates any center-to-center dimension greater than 4-3/8" (111mm).

CYLINDER: Cylinder supplied with 5-pin keying. Cylinder is protected with a free-turning cylinder guard to resist gripping or twisting.

DOOR PREP: Designed to fit 2-1/8" face bore with no additional hardware.

ESCUTCHEON TRIM LOCK SETS:

FULLY REVERSIBLE: Accommodates most door conditions and facilitates installation.

DOOR THICKNESS: Lock sets accommodate a door thickness of 1-3/4" (44mm). Conversion kit available for 2" (51mm) and 2-1/4" (57mm) thick doors at an additional charge (see price list for details).

DISTANCE BETWEEN CENTER OF LATCH AND DEADBOLT(CTC): Lockset accommodates a 5 1/2" (140mm) center-to-center dimension ONLY.

CYLINDER: Cylinder supplied with 5-pin keying.

EMERGENCY EGRESS TUBULAR ENTRANCE LOCK SETS:

EMERGENCY EGRESS: Handleset which retracts the latchbolt and deadbolt simultaneously when the inside knob/lever is turned. Door will remain unlocked unless locked with a key.

CARTRIDGE: Case and interior working parts are formed of heavy gauge steel, zinc chromate plated and lubricated for maximum strength and smooth operation.

FULLY REVERSIBLE: Accommodates most door conditions and facilitates installation.

DOOR THICKNESS: Lock sets accommodate a door thickness of 1-3/4" (44mm). Conversion kit available for 2" (51mm) and 2-1/4" (57mm) thick doors at an additional charge.

DISTANCE BETWEEN CENTER OF LATCH AND DEADBOLT (CTC): Lockset accommodates 5 1/2" center-to-center dimension ONLY.

CYLINDER: Cylinder supplied with 5-pin keying.

IMPORTANT: Emergency egress entrance lock sets are designed for use with all Images knobs or levers.

TWO-POINT LOCK SETS:

DOOR THICKNESS: Lock sets accommodate a door thickness of 1-3/4"(44mm) to 2" (51mm). Cannot be installed on doors thicker than 2"(51mm).

DISTANCE BETWEEN CENTER OF LATCH AND DEADBOLT (CTC): Lockset accommodates any center-to-center dimension greater than 4-3/4" (121mm).

CYLINDER: Cylinder supplied with 5-pin keying. Cylinder is protected with a free-turning cylinder guard to resist gripping or twisting.

DOOR PREP: Designed to fit 2-1/8" face bore with a 3-hole prep.

NOTE: When installing a two-point handleset on a door prepped for a standard single point handleset with a 5 1/2" CTC boring, the location of the thumb piece will be approximately 2 1/2" lower.

Numerous patents, copyrights, and trademarks are held by the Corporation to protect the integrity and reputation of our distinctive line of hardware appointments.

FUNCTIONS AVAILABLE INCLUDE:

ENTRANCE



FROM EXTERIOR:
Thumb piece operates handleset latch;
key operates deadbolt.

FROM INTERIOR:
Knob operates latch;
key operates deadbolt.

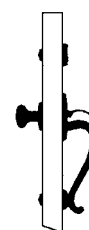
DOUBLE CYLINDER



FROM EXTERIOR:
Thumb piece operates handleset latch;
key operates deadbolt.

FROM INTERIOR:
Knob operates latch;
key operates deadbolt.

FULL DUMMY

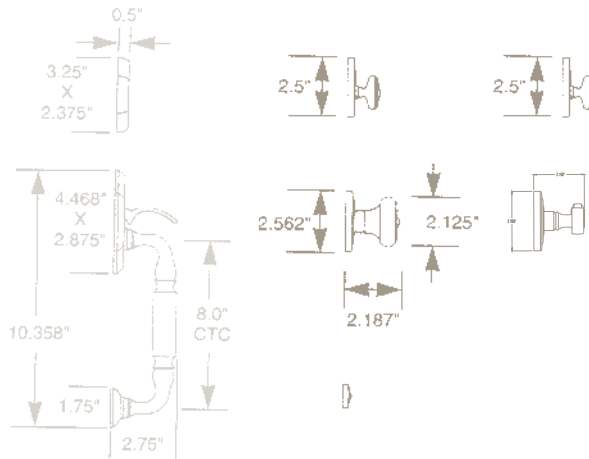


Trim for non-working side of double doors. Matching dummy trim (non-functioning) handleset and interior trim.

IMAGES – HANDLESETS, SECTIONAL

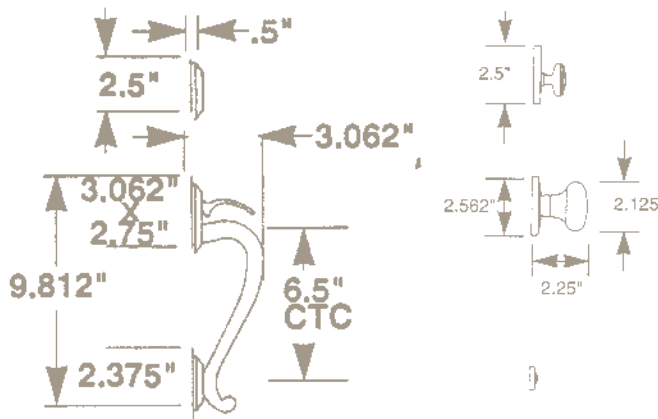
Canterbury Sectional Trim
w/ 5410 Colonial knob or 5455 Wave lever

Item #	Function	Wt.	031, 050, 102 112, 150, 151 190, 260, 264		003, 055, 056 402, 412, 452	
85305.xxx.ENTR	Single cylinder handleset with interior knob	5.8	\$363		373	
85305.xxx.DBLC	Double cylinder handleset with interior knob	6.1	380		390	
85305.xxx.FD	Full dummy set with interior knob	4.6	310		320	
85305.xxx.RENT	Single cylinder handleset with lever – RH Entry	6.8	363		373	
85305.xxx.LENT	Single cylinder handleset with lever – LH Entry	6.8	363		373	
85305.xxx.RDBL	Double cylinder handleset with lever – RH Entry	7.1	380		390	
85305.xxx.LDBL	Double cylinder handleset with lever – LH Entry	7.1	380		390	
85305.xxx.RFD	Full dummy set with lever – RH Dummy	5.6	310		320	
85305.xxx.LFD	Full dummy set with lever – LH Dummy	5.6	310		320	
85305.xxx.ENKKN	Single cylinder w/ interior knob, K-Keyway	5.8	363		373	
85305.xxx.ENKR	Single cylinder with lever, K-Keyway – RH Entry	6.8	363		373	
85305.xxx.ENKL	Single cylinder with lever, K-Keyway – LH Entry	6.8	363		373	



Madison® Sectional Trim
w/ 5405 Classic knob or 5445 Classic lever

Item #	Function	Wt.	031, 050, 102 112, 150, 151 190, 260, 264		003, 055, 056 402, 412, 452	
85320.xxx.ENTR	Single cylinder handleset with interior knob	5.6	\$363		373	
85320.xxx.DBLC	Double cylinder handleset with interior knob	5.9	380		390	
85320.xxx.FD	Full dummy set with interior knob	4.2	310		320	
85320.xxx.RENT	Single cylinder handleset with lever – RH Entry	6.6	363		373	
85320.xxx.LENT	Single cylinder handleset with lever – LH Entry	6.6	363		373	
85320.xxx.RDBL	Double cylinder handleset with lever – RH Entry	6.9	380		390	
85320.xxx.LDBL	Double cylinder handleset with lever – LH Entry	6.9	380		390	
85320.xxx.RFD	Full dummy set with lever – RH Dummy	5.2	310		320	
85320.xxx.LFD	Full dummy set with lever – LH Dummy	5.2	310		320	
85320.xxx.ENKKN	Single cylinder w/ interior knob, K-Keyway	5.6	363		373	
85320.xxx.ENKR	Single cylinder with lever, K-Keyway – RH Entry	6.6	363		373	
85320.xxx.ENKL	Single cylinder with lever, K-Keyway – LH Entry	6.6	363		373	

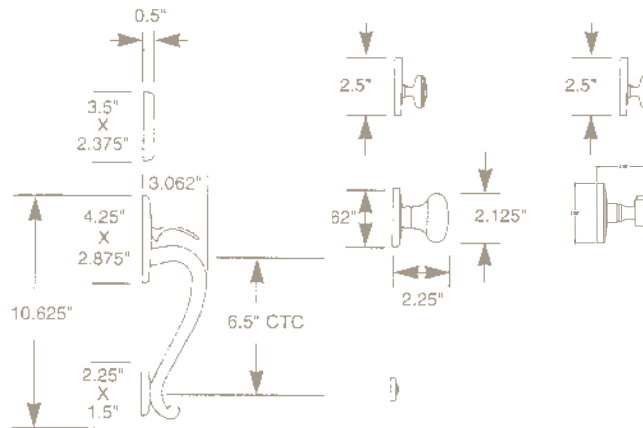


IMAGES – HANDLESETS, SECTIONAL

Logan Sectional Trim
w/ 5405 Classic knob or 5455 Wave lever



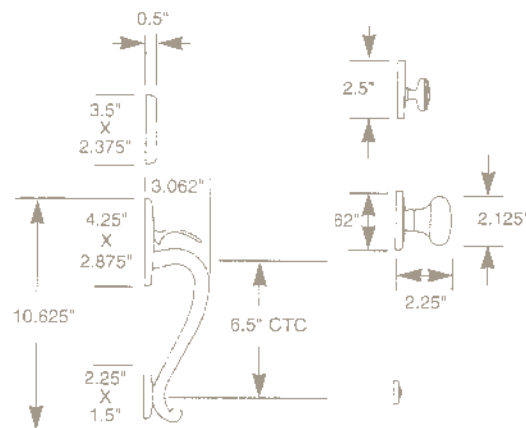
Item #	Function	Wt.	031, 050, 102	003, 055, 056
			112, 150, 151	190, 260, 264
85315.xxx.ENTR	Single cylinder handleset with interior knob	5.7	\$363	373
85315.xxx.DBLC	Double cylinder handleset with interior knob	5.8	380	390
85315.xxx.FD	Full dummy set with interior knob	4.3	310	320
85315.xxx.RENT	Single cylinder handleset with lever – RH Entry	6.7	363	373
85315.xxx.LENT	Single cylinder handleset with lever – LH Entry	6.7	363	373
85315.xxx.RDBL	Double cylinder handleset with lever – RH Entry	6.8	380	390
85315.xxx.LDBL	Double cylinder handleset with lever – LH Entry	6.8	380	390
85315.xxx.RFD	Full dummy set with lever – RH Dummy	5.3	310	320
85315.xxx.LFD	Full dummy set with lever – LH Dummy	5.3	310	320
85315.xxx.ENKKN	Single cylinder w/ interior knob, K-Keyway	5.7	363	373
85315.xxx.ENKR	Single cylinder with lever, K-Keyway – RH Entry	6.7	363	373
85315.xxx.ENKL	Single cylinder with lever, K-Keyway – LH Entry	6.7	363	373



Logan Sectional Trim
w/ 5425 Egg knob



Item #	Function	Wt.	031, 050, 102	003, 055, 056
			112, 150, 151	190, 260, 264
85335.xxx.ENTR	Single cylinder handleset with interior knob	5.7	\$363	373
85335.xxx.DBLC	Double cylinder handleset with interior knob	5.8	380	390
85335.xxx.FD	Full dummy set with interior knob	4.3	310	320

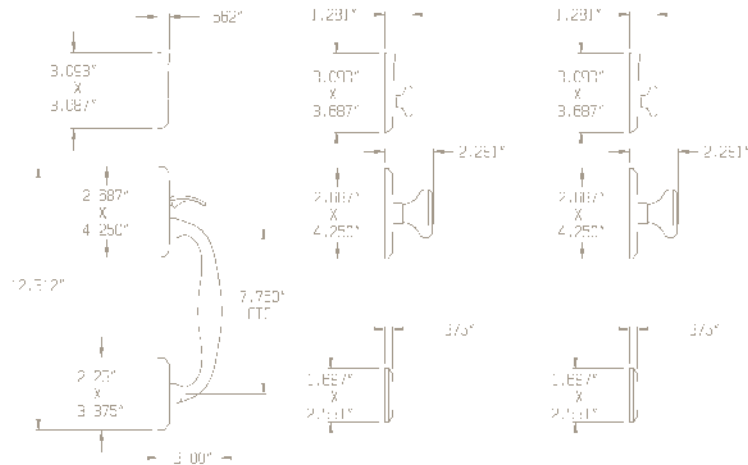


IMAGES – HANDLESETS, SECTIONAL

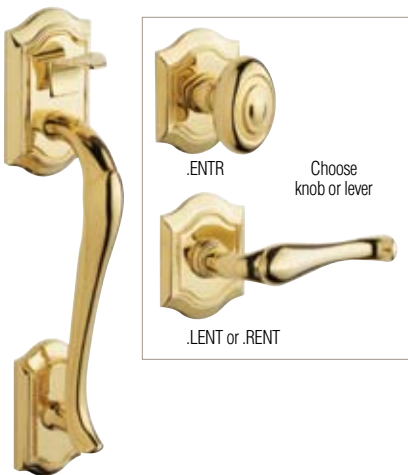
Tahoe Sectional Trim
w/ 5420 Tahoe knob or 5465 Tahoe lever



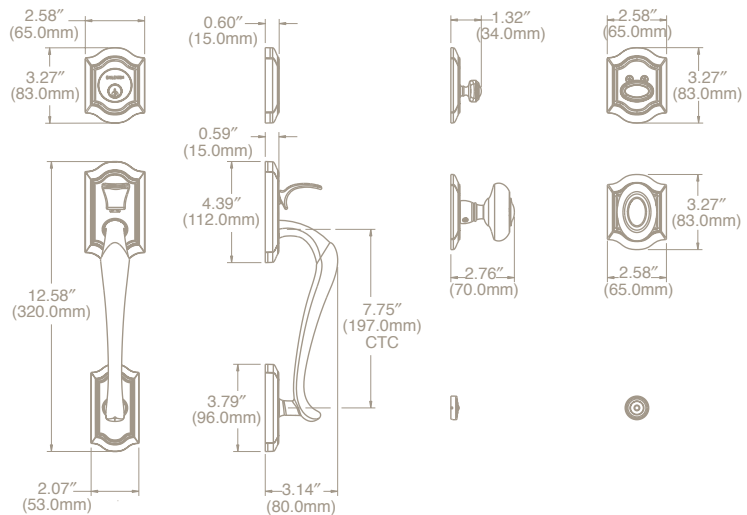
Item #	Function	Wt.	031, 050, 102		003, 055, 056	
			112, 150, 151	190, 260, 264	402, 412, 452	
85325.xxx.ENTR	Single cylinder handleset with interior knob	5.8	\$397		409	
85325.xxx.DBLC	Double cylinder handleset with interior knob	6.1	424		436	
85325.xxx.FD	Full dummy set with interior knob	4.6	343		352	
85325.xxx.RENT	Single cylinder handleset with lever – RH Entry	6.8	397		409	
85325.xxx.LENT	Single cylinder handleset with lever – LH Entry	6.8	397		409	
85325.xxx.RDBL	Double cylinder handleset with lever – RH Entry	6.1	424		436	
85325.xxx.LDBL	Double cylinder handleset with lever – LH Entry	6.1	424		436	
85325.xxx.RFD	Full dummy set with lever – RH Dummy	5.6	343		352	
85325.xxx.LFD	Full dummy set with lever – LH Dummy	5.6	343		352	



Bethpage™ Sectional Trim
w/ 5437 Bethpage knob or 5447 Bethpage lever



Item #	Function	Wt.	031, 050, 102		003, 055, 056	
			112, 150, 151	190, 260, 264	402, 412, 452	
85327.xxx.ENTR	Single cylinder handleset with interior knob	5.8	\$397		409	
85327.xxx.DBLC	Double cylinder handleset with interior knob	6.1	424		436	
85327.xxx.FD	Full dummy set with interior knob	4.6	343		352	
85327.xxx.RENT	Single cylinder handleset with lever – RH Entry	6.8	397		409	
85327.xxx.LENT	Single cylinder handleset with lever – LH Entry	6.8	397		409	
85327.xxx.RDBL	Double cylinder handleset with lever – RH Entry	7.1	424		436	
85327.xxx.LDBL	Double cylinder handleset with lever – LH Entry	7.1	424		436	
85327.xxx.RFD	Full dummy set with lever – RH Dummy	5.6	343		352	
85327.xxx.LFD	Full dummy set with lever – LH Dummy	5.6	343		352	



IMAGES – HANDLESETS, SECTIONAL

Clarion™ Sectional Trim –DWO
w/ 5131 Birdcage lever

Item #	Function	Wt.	030	003	050, 102, 112 150, 151, 190 260, 264		055 056, 402 412, 452
					415, 416		
85309.xxx.RENT	Single cylinder handleset with lever – RH Entry	6.1	N/A	N/A	\$357.00	368.00	N/A
85309.xxx.LENT	Single cylinder handleset with lever – LH Entry	6.1	N/A	N/A	357.00	368.00	N/A
85309.xxx.RDBL	Double cylinder handleset with lever – RH Entry	6.3	N/A	N/A	375.00	387.00	N/A
85309.xxx.LDBL	Double cylinder handleset with lever – LH Entry	6.3	N/A	N/A	375.00	387.00	N/A
85309.xxx.RFD	Full dummy set with lever – RH Dummy	4.9	N/A	N/A	307.00	317.00	N/A
85309.xxx.LFD	Full dummy set with lever – LH Dummy	4.9	N/A	N/A	307.00	317.00	N/A

Note: Distressed finishes 402, 412 & 452 not available with Birdcage items.
Clarion will be discontinued when out of stock.



.LENT or .RENT

