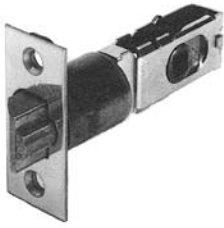


# IMAGES - LATCH BOLTS & STRIKES

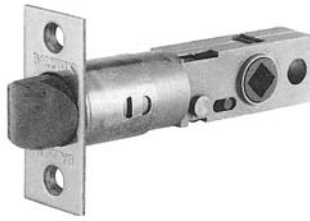


## 5200.xxx – Deadlocking Latch bolt For Keyed Entry Lockset

**FEATURES:** Latch bolts have a .5" (12.7mm) throw, are reversible and can be used on beveled doors. Latches are supplied with 1" (25mm) face plates.

**PACKED:** One per box with strike, fasteners and template. Orders in multiples of twelve (12) will be packed standard in a case.

Item No.	Adjustable Backset	Front Length	Front Width	Description
5200xxx	2.375" (60mm) 2.75" (70mm)	2.25" (57mm)	1" (25mm)	Deadlocking Latch Bolt



## 5300.xxx.9 – Latch Bolt

**FEATURES:** Latch bolts have .5" (13mm) throw and are non-handed with fully adjustable fronts for use on beveled doors. For use with Images Sectional, Escutcheon and Emergency Egress Entrance Lock sets. All latch bolts have an adjustable backset feature to accommodate 2-3/8" or 2-3/4" backsets. (Must specify finish)

**PACKED:** Without fasteners. Available in case quantities of twelve (12).

**WEIGHT:** .45 lbs. (.20kg)

Item No.	Adjustable Backset	Front Length	Front Width	Description
5300.xxx.9	2.375" (60mm) 2.75" (70mm)	2.25" (57mm)	1" (25mm)	Latch Bolt



Passage Latch

Privacy Latch

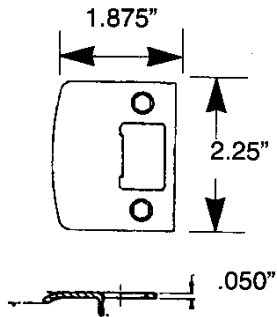
## 5495-5498.xxx – Latches

**FEATURES:** Latch bolts have a .437" (11mm) throw, are reversible with fixed fronts and can be used on beveled doors. Latches are supplied with 1" (25mm) face plates. 1.125" (29mm) face plate is not available. For use with Images interior knob and lever sets.

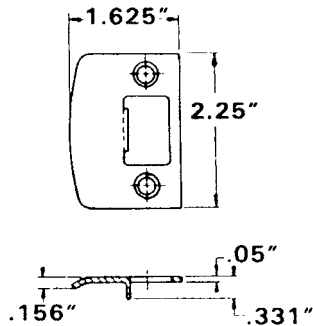
**PACKED:** One per box with strike, fasteners and template. Orders in multiples of twelve (12) will be packed standard in a case.

**WEIGHT:** .25 lb. (.11kg); 3 lbs. (1.36kg) per case.

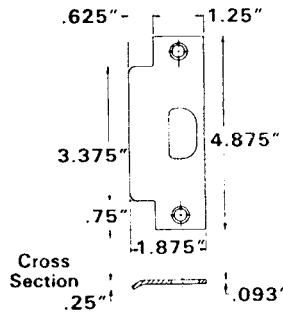
Item No.	Front Backset	Front Length	Width	Description
5495.XXX	2.375"	2.25"	1"	Passage Latch - Knob Strength
5495.XXX.P	(60mm)	(57mm)	(25mm)	Privacy Latch - Knob Strength
5496.XXX	2.75"	2.25"	1"	Passage Latch - Knob Strength
5496.XXX.P	(70mm)	(57mm)	(25mm)	Privacy Latch - Knob Strength
5497.XXX	2.375"	2.25"	1"	Passage Latch - Lever Strength
5497.XXX.P	(60mm)	(57mm)	(25mm)	Privacy Latch - Lever Strength
5498.XXX	2.75"	2.25"	1"	Passage Latch - Lever Strength
5498.XXX.P	(70mm)	(57mm)	(25mm)	Privacy Latch - Lever Strength



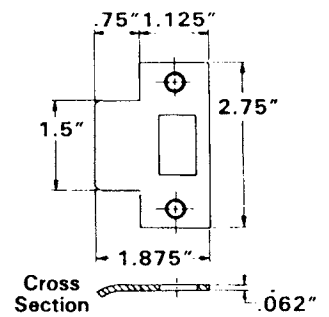
**5300.xxx.EFLS Extended Full Lip Strike**  
**SIZE:** .050" x 1.875" x 2.25" (1 x 48 x 57mm)  
**LIP TO CENTER DIMENSION:** 1.375" (35mm).  
 Other Lip to Center dimensions are NOT available.  
**NOTE:** Strike is designed for 2" and 2 1/4" thick doors or when the trim condition necessitates a larger strike. This item can be used with Images Handlesets, Images Interior Sets and Estate knob and lever products.



**5510.xxx.FSTR – Standard Full Lip Strike**  
**SIZE:** .050" x 1.625" x 2.25" (1 x 41 x 57mm)  
**LIP TO CENTER DIMENSION:** 1.125" (29mm).  
 Other Lip to Center dimensions are NOT available.  
**DUST BOX:** NOT available.



**5510.xxx.ASTR – ASA Strike**  
**SIZE:** .093" x 1.25" x 4.875" (2.3 x 32 x 124mm)  
**LIP TO CENTER DIMENSION:** 1.25" (32mm)  
**DUST BOX:** Box is NOT furnished standard.  
**TEMPLATE:** Metal frames to be prepared in accordance with ANSI standard A115.2.



**5510.xxx.TSTR – Standard Box Strike**  
**SIZE:** .062" x 1.125" x 2.75" (2 x 29 x 70mm)  
**LIP TO CENTER DIMENSION:** 1.312" (33mm)  
**DUST BOX:** Box is furnished unattached; conceals installation marks and cutouts. (No. 5510.000)  
**TEMPLATE:** Metal frames to be prepared in accordance with ANSI standard A115.2.

# IMAGES – LATCH BOLTS & STRIKES

Item #	Function	Qty. Case	Qty. Box	U/M	Wt.	003	030, 050, 102 112, 150, 151 190, 260, 264	402, 412 452	055, 056	Other Finishes (as marked)
<b>KEYED ENTRY LOCK SET ACCESSORIES</b>										
Latchbolt										
5200.XXX	Adjustable backset deadlocking latchbolt	1	each	0.4	\$44	40	N/A	44		
Strike										
5300.XXX.EFLS	Extended full lip strike, 1 3/8" lip to center for 2" or 2 1/4" doors	1	each	0.1	14	14	N/A	14	040, 152=14	
<b>STRIKES</b>										
5510.XXX.FSTR	Full lip strike 1 1/8" lip to center	10	1	each	0.1	14	14	N/A	N/A	037, 038, 152=14
5510.XXX.ASTR	ASA strike for passage applications — for metal jambs	10	1	each	0.2	14	14	N/A	N/A	040=14
<b>HANDLESET ACCESSORIES – LATCHBOLT FOR HANDLESETS</b>										
5300.XXX.9	Adjustable backset latch for Images Handlesets	1	each	0.4	38	38	N/A	N/A		
Strikes										
5510.XXX.TSTR	Box strike 1 5/16" lip to cntr (standard strike w/5500 series latches)	10	1	each	0.1	14	14	N/A	14	038, 040=14

Item #	Function	Qty. Case	Qty. Box	U/M	Wt.	030, 050, 102 112, 150, 151 190, 260, 264	003, 055, 056
<b>INTERIOR LATCH SET ACCESSORIES</b>							
Latches							
5495.XXX	Knob strength passage latch, 2 3/8" backset	12	1	each	0.4	\$50	62
5495.XXX.P	Knob strength privacy latch, 2 3/8" backset	12	1	each	0.4	50	62
5496.XXX	Knob strength passage latch, 2 3/4" backset	12	1	each	0.4	50	62
5496.XXX.P	Knob strength privacy latch, 2 3/4" backset	12	1	each	0.4	50	62
5497.XXX	Lever strength passage latch, 2 3/8" backset	12	1	each	0.4	50	62
5497.XXX.P	Lever strength privacy latch, 2 3/8" backset	12	1	each	0.4	50	62
5498.XXX	Lever strength passage latch, 2 3/4" backset	12	1	each	0.4	50	62
5498.XXX.P	Lever strength privacy latch, 2 3/4" backset	12	1	each	0.4	50	62

**PLEASE NOTE:  
HANDLESET CHANGES**

In November 2002, Baldwin implemented handleset design improvements to further enhance customer satisfaction. New mechanical components are not interchangeable with original components. When ordering replacement parts, please reference the following guidelines to distinguish original components from new components or call customer service for assistance at 1-800-566-1986.

**Sectional & Escutcheon Handlesets:**

Remove interior knob or lever and the rosette.

You have new components if:

1. The adapter has the words "knob" or "lever" stamped on the part
2. The adapter color is gold (versus grey for old parts)

**Emergency Egress Handlesets:**

Remove interior knob or lever and trim plate.

You have new components if:

1. There are two parallel slots in the cartridge exposing springs
2. The egress cartridge color is gold (versus grey for old parts)

