

Miscellaneous Locks

TABLE OF CONTENTS

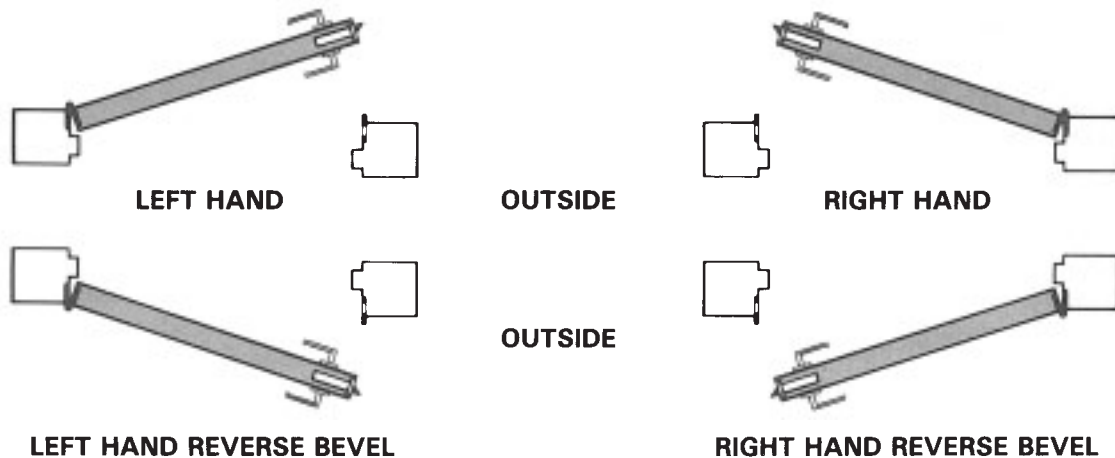
| | |
|--|------|
| Specifications/Standards of Excellence | 2 |
| Door Conditions | 2 |
| Mortise Deadlocks | 3-5 |
| Specifications – 2.5" (64mm) Backset | 3 |
| Functions | 3 |
| Specifications – 2.75" (70mm) Backset | 4 |
| Functions | 4 |
| Specifications 1.5" (38mm) Backset | 5 |
| Functions | 5 |
| Accessories | 6 |
| Sliding Door Locks | 7-8 |
| Specifications | 7 |
| Functions | 8 |
| Cremone Bolts | 9-11 |
| Specifications | 9 |
| Handing of Cremone Bolts | 10 |
| Designs | 11 |

Specifications/Door Conditions

STANDARDS OF EXCELLENCE

- Most working parts are manufactured of solid forged brass material, precisely machined for maximum strength and smooth, lifetime operation. (Forgings have a 250% greater tensile strength over castings.)
- Finishes (such as, Aged Brass, and Antique Nickel) are protected with a protective, tarnish-resistant lacquer coating.
- All lock cases are constructed of heavy gauge steel (.093" [2.4mm] material) and plated with a protective rustproof coating to retard oxidation.
- Most lock functions are completely reversible within the field to facilitate installation.
- Locks have adjustable forged brass lock fronts, protected by armored scalp fronts for ultimate strength and protection against tampering.
- All deadbolts (except 1.5" [38mm] and 2" [51mm] backsets) are of forged brass construction with 1" (25mm) throw when extended and two hardened steel inserts for maximum protection and security.
- All keys are designed with a 1.25" (32mm) wide bow surface to facilitate use by the disabled and physically handicapped people.
- Our Design Department works closely with a number of America's most prestigious museums and historical foundations. Baldwin is renowned for meeting the stringent demands for quality and authenticity in the restoration-retrofit-rehabilitation markets.
- Numerous patents, copyrights, and trademarks are held by the Corporation to protect the integrity and reputation of our distinctive line of hardware appointments.

DOOR CONDITIONS



HAND OF DOOR IS ALWAYS DETERMINED FROM THE OUTSIDE

Here are a few rules to follow:

- The outside of an exterior door is the street or entrance side.
- The outside of a room door is the hall side.
- The outside of a single communicating door is the side from which the hinges are not visible when the door is closed.
- The outside of a closet door is the room or hall side.

Mortise Deadlocks

2.5" (64mm) BACKSET—SPECIFICATIONS

FEATURES: Case is formed from heavy gauge steel for strength and assures solid fit in mortise preparation. Most interior working parts are made of solid hot forged brass for a lifetime of trouble-free operation. Completely reversible for all door conditions.

STEEL CASE: .625" × 3.375" × 3.75" (16 × 86 × 95mm)

FRONT: Hot forged brass .156" × 1" × 5.75" (4 × 25 × 133mm). Adjustable for beveled conditions; finished to match.

DEAD BOLT: .5" × 1.25" (13 × 32mm) × 1" (25mm) throw with two saw-proof inserts. Furnished in US4 and 26D finishes to match trim.

BACKSET: 2.5" (64mm)

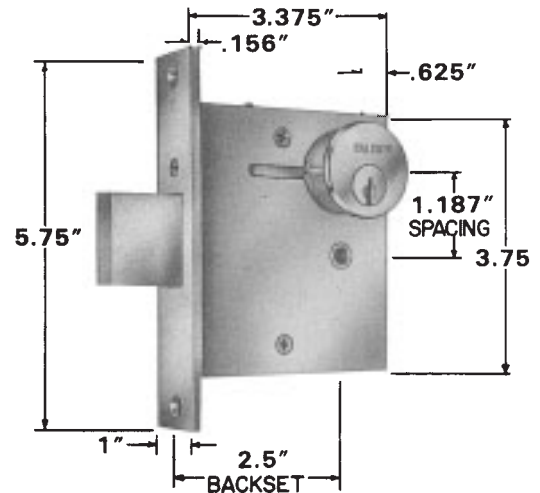
STRIKE: Heavy gauge brass finished to match. Furnished with two 3" steel screws and a dust box standard (No. 8530.000).

CYLINDER: Standard mortise type with 03 keyway and two nickel silver keys. Cylinder must be purchased separately.

KEYING: All levels of Keying including Construction Keying are available. For additional information, refer to Section K.

PACKED: One in a box. No. 8300 Cylinder Collar, No. 8530.000 Dust Box, and fasteners.

IMPORTANT: NO. 8300 CYLINDER COLLAR AND NO. 6750 TURN PIECE ARE FURNISHED STANDARD.

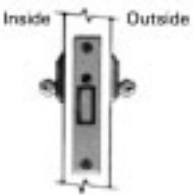
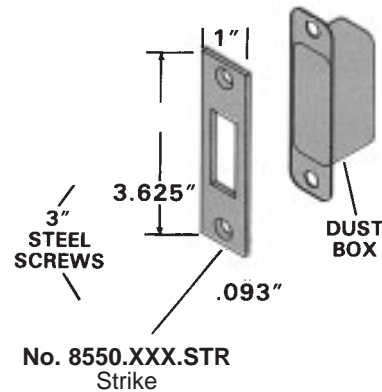


No. 8550

SINGLE CYLINDER

FUNCTION: Dead bolt by cylinder key one side only. Furnished standard with No. 8300 Cylinder Collar.

WEIGHT: 1 lb. (.45kg)



No. 8555

DOUBLE CYLINDER

FUNCTION: Dead bolt by cylinder key from either side. Furnished standard with No. 8300 Cylinder Collars.

WEIGHT: 1.25 lbs. (.57kg)



No. 8560

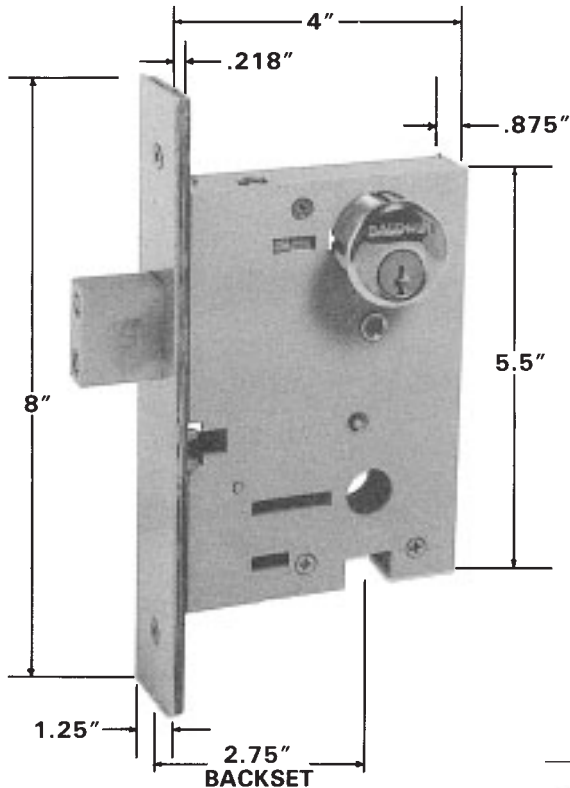
TURN PIECE/CYLINDER

FUNCTION: Dead bolt by cylinder key outside and turn piece inside. Furnished standard with No. 8300 Cylinder Collar and No. 6750 Turn Piece. Other turn pieces and cylinder trim are available as illustrated on page J/6.

WEIGHT: 1 lb. (.45kg)

Mortise Deadlocks

2.75" (70mm) BACKSET—SPECIFICATIONS



FEATURES: Standardized heavy steel case is smooth, easy to mortise, and assures snug and solid fit in door mortise. Vital interior working parts are made of solid hot forged brass or steel for a lifetime of trouble-free operation. Armored front provides maximum strength and protection against tampering. The bevel of front is adjustable from flat to standard bevel .125" on 2" (3mm on 51mm).

STEEL CASE: .875" × 4" × 5.5" (22 × 102 × 140mm)

FRONT: Hot forged brass .218" × 1/25" × 8" (6 × 32 × 203mm).

Adjustable for beveled conditions.

SCALP: Wrought brass, available in standard finishes.

DEAD BOLT: .5" × 1.25" (13 × 32mm) × 1" (25mm) throw with two saw-proof inserts. Furnished in US4 and 26D finishes to match trim.

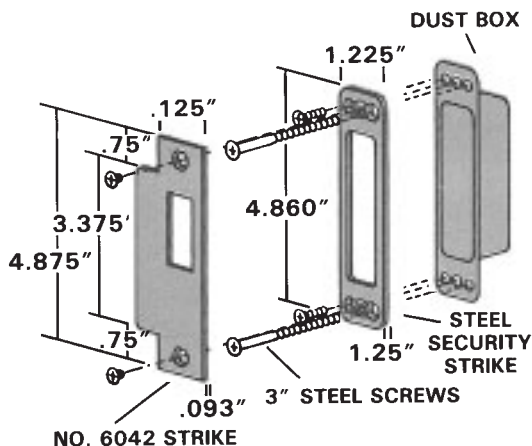
BACKSET: 2.75" (70mm)

CYLINDER: Standard mortise type with 03 keyway and two nickel silver keys. Cylinder must be purchased separately.

KEYING: All levels of Keying including Construction Keying are available. For additional information, refer to Section K.

STRIKE: Wrought brass. Supplied to ANSI standard A115.1, 1.25" (32mm) lip to center. Locks are furnished standard with straight lip strike (Universal) and dust box. All KEYED lock functions are furnished standard with a high grade **steel security strike** and two 3" steel screws.

TEMPLATE: Metal doors/frames to be prepared in accordance with ANSI A115.1. FACE CUTOUTS ARE SUBJECT TO VARIATION. ALWAYS REVIEW TRIM REQUIREMENTS BEFORE DOOR PREPARATION.



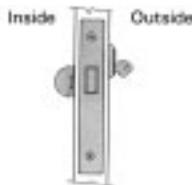
SINGLE CYLINDER

FUNCTION: Dead bolt by cylinder key one side only. Furnished standard with No. 8300 Cylinder Collar.

WEIGHT: 2 lbs. (.91kg)

NOTE: MAY BE USED IN DOUBLE CYLINDER APPLICATIONS

No. 6150



TURN PIECE/CYLINDER

FUNCTION: Dead bolt by cylinder key outside and turn piece inside. Furnished standard with No. 8300 Cylinder Collar and No. 6750 Turn Piece. Other turn pieces and cylinder trim are available as illustrated on page J/6.

WEIGHT: 2.3 lbs. (1.04 kg)

No. 6160

Mortise Deadlocks

1.5" (38mm) BACKSET—SPECIFICATIONS

FEATURES: Standardized heavy steel case is smooth, easy to mortise, and assures snug and solid fit in door mortise. Vital interior working parts are made of solid hot forged brass or steel for a lifetime of trouble-free operation. Armored front provides maximum strength and protection against tampering. The bevel of front is adjustable from flat to standard bevel .125" on 2" (3mm on 51mm).

STEEL CASE: .75" × 2.5" × 5.5" (19 × 64 × 140mm)

FRONT:* Hot forged brass .218" × 1" × 8" (6 × 25 × 203mm).

Adjustable for beveled conditions.

*Optional 1.25" (32mm) front available.

SCALP: Wrought brass, available in standard finishes.

DEAD BOLT: .5" × 1.25" (13 × 32mm) × .5" (13mm) throw. Furnished in US4 and 26D finishes to match trim.

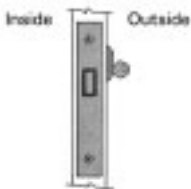
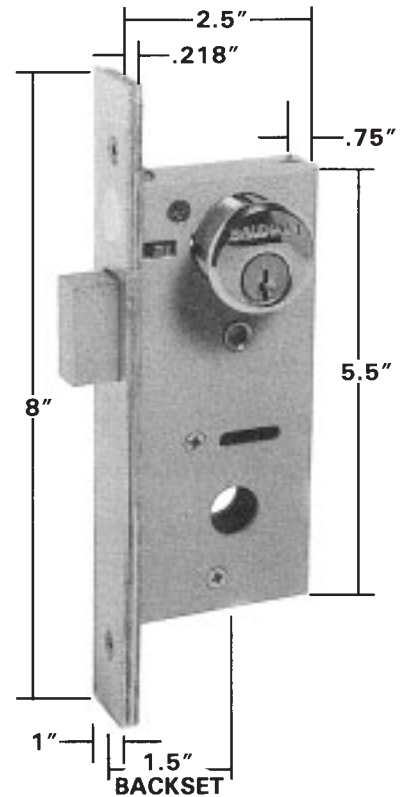
BACKSET: 1.5" (38mm)

CYLINDER: Standard mortise type with 03 keyway and two nickel silver keys. Cylinder must be purchased separately.

KEYING: All levels of Keying including Construction Keying are available. For additional information, refer to Section K.

STRIKE: Wrought brass. Supplied to ANSI standard A115.1, 1.25" (32mm) lip to center. Locks are furnished standard with straight lip strike (Universal) and dust box. All KEYED lock functions are furnished standard with a high grade **steel security strike** and two 3" steel screws.

TEMPLATE: Metal doors/frames to be prepared in accordance with ANSI A115.1. FACE CUTOUTS ARE SUBJECT TOP VARIATION. ALWAYS REVIEW TRIM REQUIREMENTS BEFORE DOOR PREPARATION.



No. 6850

SINGLE CYLINDER

FUNCTION: Dead bolt by cylinder key one side only. Furnished standard with No. 8300 Cylinder Collar.

WEIGHT: 2 lbs. (.91kg)

NOTE: MAY BE USED IN DOUBLE CYLINDER APPLICATIONS

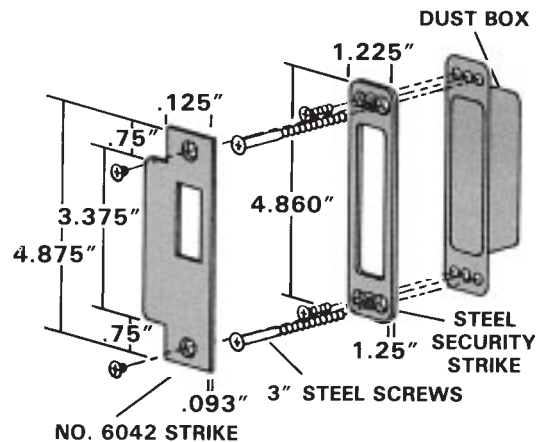


No. 6860

TURN PIECE/CYLINDER


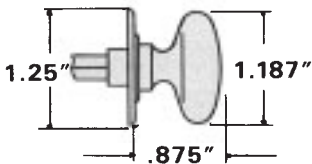

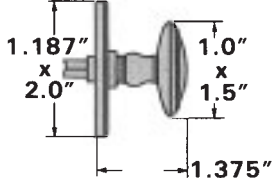

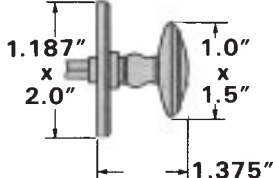

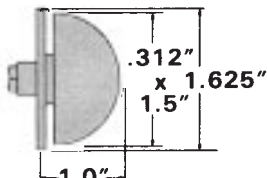

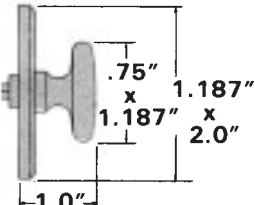

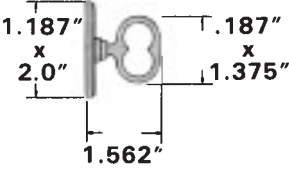

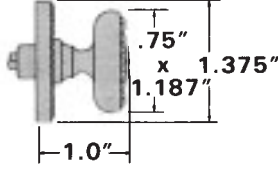
FUNCTION: Dead bolt by cylinder key outside and turn piece inside. Furnished standard with No. 8300 Cylinder Collar and No. 6750 Turn Piece. Other turn pieces and cylinder trim are available as illustrated on page J/6.

WEIGHT: 2.3 lbs. (1.04kg)



Accessories

FORGED BRASS TURN PIECES

| | | | |
|---|--|--|--|
|  <p>No. 6756</p>  |  <p>No. 6732</p>  |  <p>No. 6734</p>  |  <p>No. 6750</p>  |
|  <p>No. 6751</p>  |  <p>No. 6728</p>  |  <p>No. 6764</p>  | <p>RESERVED FOR FUTURE ADDITIONS</p> |

CYLINDER TRIM

| | | | | |
|--|--|--|--|--|
|  <p>No. 6737 2.5" x 2.5" (64 x 64mm)</p> |  <p>No. 6752 2.065" x 3.545" (52 x 90mm)</p> | <p>RESERVED FOR FUTURE ADDITIONS</p> |  <p>No. 6754 1.687" x 3" (43 x 76mm)</p> |  <p>No. 6755 1.625" x 2.375" (41 x 60mm)</p> <p><small>NOTE: Prepared to fit Baldwin mortise or rim cylinders only.</small></p> |
|  <p>No. 6757 1.75" (44mm) dia.</p> | <p>RESERVED FOR FUTURE ADDITIONS</p> |  <p>No. 6768 1.75" (44mm) dia.</p> |  <p>No. 8300 1.625" (41mm) dia.</p> | <p>BLOCKING RINGS For 6755 Cylinder Collar only</p> <p>6755.040.001 .0625" (2mm) projection</p> <p>6755.040.002 .0937" (2.3mm) projection</p> <p>6755.040.003 .125" (3mm) projection</p> |

FEATURES: For use with mortise and rim cylinders as trim. For further information, refer to Section K.

Sliding Door Locks

j
7
REVISION
APR 2005

1.5" (38mm) BACKSET—SPECIFICATIONS

FEATURES: Sliding door locks are designed with a heavy gauge steel case for maximum strength. Component parts are made primarily of solid forged brass, accurately machined for a lifetime of smooth operation. Flush edge pull provides convenient door mobility in pocket application. Fully reversible for right and left hand doors.

STEEL CASE: .75" × 2.5" × 5.5" (19 × 64 × 140mm)

FRONT: 1" × 8" (25 × 203mm). Available in widths of 1.375" (35mm) or 1.75" (44mm), depending on thickness of door.

BACKSET: 1.5" (38mm)

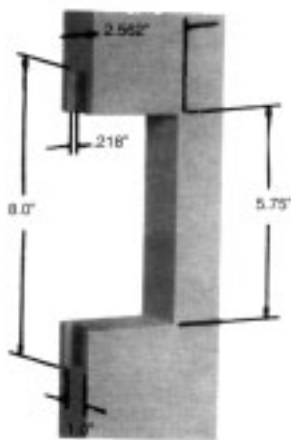
STRIKE: .5" × 1.25" (13 × 32mm) × .937" (24mm) projection.

CYLINDER: Standard mortise type 03 keyway and two nickel silver keys. Locks are furnished with a 1" (25mm) length cylinder unless specified otherwise. Optional keyways available; refer to Section K.

PREPARATION: 2.562" (65mm) deep × 5.75" (146mm) high cut-out is required.

IMPORTANT: SLIDING DOOR LOCKS ARE AVAILABLE ONLY FOR DOOR THICKNESS 1.375" (35mm) AND 1.75" (44mm). OTHER DOOR THICKNESS ARE NOT AVAILABLE.

NOTE: Caution should be taken when using this unit on pairs of sliding doors where security is a concern. A keyed function must be used.



CUT-OUT ILLUSTRATION



CUT-AWAY VIEW



STRIKE



LOCK MECHANISM

REFER TO PAGE J/8 FOR SPECIFIC FUNCTIONS

SLIDING DOOR LOCK TRIM ADAPTOR



No. 8570.XXX.ADAP
(XXX - Insert Finish)

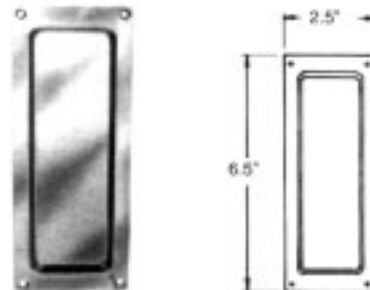
FEATURES: Designed to be used to adapt a lever or a knob to a sliding door lock.

PACKED: Set contains parts to modify one side of a sliding door lock; one spindle, one rose, and installation instructions.

NOTE: Lever or Knob must be purchased separately. Use a solid spindle if knob or lever is installed on both sides.

WEIGHT: .15 lbs. (.068kg)

DUMMY TRIM FOR SLIDING DOOR LOCKS



No. 8571

FEATURES: Designed to be used as pulls on the inactive leaf of double sliding doors.

PACKED: Five in a box with fasteners.

WEIGHT: 2 lbs. (.090kg)

Sliding Door Lock Functions



No. 8570



No. 8575

PASSAGE

FUNCTION: Latch bolt by lever either side.

PACKED: One in a box with necessary fasteners.

WEIGHT: No. 8570: 2.3 lbs. (1.06kg). No. 8575: 2.4 lbs. (1.11kg)

NOTE: No. 8570 for 1.375" (35mm) doors. No. 8575 for 1.75" (44mm) doors.



No. 8580



No. 8585

PRIVACY

FUNCTION: Latch bolt by lever either side, except when locked by turn piece inside. Furnished with Emergency Key No. 0417 for unlocking outside.

PACKED: One in a box with necessary fasteners.

WEIGHT: No. 8580: 2.4 lbs. (1.11kg). No. 8585: 2.5 lbs. (1.13kg)

NOTE: No. 8580 for 1.375" (35mm) doors. No. 8585 for 1.75" (44mm) doors.



No. 8581



No. 8586

PATIO

FUNCTION: Latch bolt by lever either side, except when locked by turn piece inside.

PACKED: One in a box with necessary fasteners.

WEIGHT: No. 8581: 2.4 lbs. (1.11kg). No. 8586: 2.5 lbs. (1.13kg)

NOTE: No. 8581 for 1.375" (35mm) doors. No. 8586 for 1.75" (44mm) doors.



No. 8590



No. 8595

ENTRANCE

FUNCTION: Latch bolt by lever either side, except when locked by cylinder outside or turn piece inside. Turn piece must be used for locking to prevent accidental lockouts.

PACKED: One in a box with necessary fasteners.

WEIGHT: No. 8590: 2.9 lbs. (1.32kg). No. 8595: 3 lbs. (.36kg)

NOTE: No. 8590 for 1.375" (35mm) doors. No. 8595 for 1.75" (44mm) doors.



No. 8591



No. 8596

DOUBLE CYLINDER

FUNCTION: Latch bolt by lever either side, except when locked by cylinder outside or cylinder inside. Blocking rings required for proper cylinder operation on 1.375" and 1.750" thick doors.

PACKED: One in a box with necessary fasteners.

WEIGHT: No. 8591: 3.3 lbs. (1.50kg). No. 8596: 3.4 lbs. (1.52kg)

NOTE: No. 8591 for 1.375" (35mm) doors. No. 8596 for 1.75" (44mm) doors.

IMPORTANT: For cylinder clearance, a minimum pocket width of 2.50" (54mm) is required.

Cremone Bolts

SOLID FORGED BRASS CONSTRUCTION

SPECIFICATIONS:

Nos. 8105, 8106, & 8107.XXX Right Hand or Left Hand, 7 or 8 ft. units.

CASE SIZE: 1.75" x 6.25" (44 x 159mm)

BOLT DIMENSIONS: STANDARD 7 FT. LENGTH

Top Rod: .625" x 40.875" (16 mm x 1.04m).

Bottom Rod: .625" x 38.875" (16 x .99 m)

STANDARD 8 FT. LENGTH

Top Rod: .625" x 52.875" (16mm x 1.34)

Bottom Rod: .625" x 38.875" (16mm x .99m)

THROW: When engaged: both bolts extend .75" (19mm) into jamb and sill.

GUIDES: 1.5" (38mm) wide. Decorative covers to conceal guides are available at an additional charge. Please consult price list.

FASTENERS: Case is surface mounted with 4 No. 8 x 1.25" Oval Phillips Head Screws for added strength and durability.

STRIKES: Furnished with 3 Strikes, one Universal, one Angle, and one Mortise to meet various door conditions.

SPINDLE: 1.375" (35mm) in length. (NO. 8105.004) A straight spindle must be ordered when trim is ordered for the exterior side of the door.

FEATURES: Often used as an elegant and functional addition to a pair of french doors with very narrow stile conditions. A typical application requires active cremone bolts mounted on each leaf of a pair of doors with no exterior access. Specify cremone bolt less knob (LK) or less lever (LL), and order knob or lever minus rose (MR) of choice as a separate item.

SPECIAL CONDITIONS: When specified, most trim as illustrated in Section F is available for the exterior side to latch door. Indicate knob or lever to be furnished. Straight spindle must be purchased separately. In addition, for doors larger than 8ft. see Cremone Bolt extension packets below.

PACKED: One in a box with three strikes and the appropriate fasteners.

Cremone Bolts are available in two sizes, one for doors up to and including 7 ft. (2.13m) and one for doors between 7 feet and 8 feet in height, at an additional cost. A 42" centerline above the finished floor is considered standard with our Cremone Bolts.

NOTE: Always specify hand of door as Knob/Lever trim will turn only in one direction. See diagram on pg. J/10 for handling details. To enable greater job site flexibility, exact sizing of Cremone Bolts can be accomplished in the field. For doors larger than 8ft. in height, the addition of a Cremone Bolt extension packet is necessary. See table below.

ORDERING INFORMATION: The final suffix numbers will indicate the following:

Digit #1 of the suffix will indicate hand of the unit: either right (R) or left (L)

Digit #2 of the suffix will indicate length: either 7' or 8'

Digits #3 & #4 of the suffix will indicate a cremone bolt less knob (LK) or lever (LL).

ORDERING EXAMPLES, KNOB/FUNCTION: Order cremone bolt and separate line item for knob:

8105.XXX.R7LK: Standard design 7' Cremone bolt right hand less knob

5000.XXX.IMR: 1 each 5000 knob minus rose

ORDERING EXAMPLES, LEVER/FUNCTION: Order cremone bolt and separate line item for lever:

8105.XXX.L7LL: Standard design 7' Cremone bolt right hand less lever

1 each 5125 lever left hand minus rose: 5152.XXX.LMR

Nos. 8105, 8106 & 8107.XXX.R7/8R/LK are furnished with guides less knobs or levers.

CREMONE BOLT EXTENSION PACKETS:

8106.XXX.E24 2 FT. Extension Packet - Ornamental Design

8106.XXX.E48 4 FT. Extension Packet - Ornamental Design

8107.XXX.E24 2 FT. Extension Packet - Contemporary Design

8107.XXX.E48 4 FT. Extension Packet - Contemporary Design

These packets contain all the parts necessary to extend the top rod length of stock 7ft. or 8ft. Cremone Bolts for special door situations. The following chart illustrates which item to order for a particular door size.

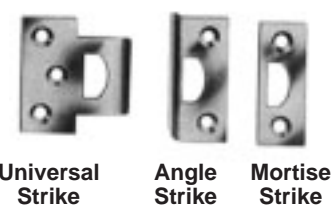
NOTE: Extension packets are only available for Cremone Bolts with decorative covers.

Not available for use with 8105 Cremone Bolts.

| Door Size | Stock parts to be ordered |
|--------------|---|
| up to 9 ft. | Standard 7 ft. Cremone Bolt and 2 ft. Extension |
| up to 10 ft. | Standard 8 ft. Cremone Bolt and 2 ft. Extension |
| up to 11 ft. | Standard 8 ft. Cremone Bolt and 4 ft. Extension |
| up to 12 ft. | Standard 8 ft. Cremone Bolt and 4 ft. Extension |
| above 12 ft. | Not Available |

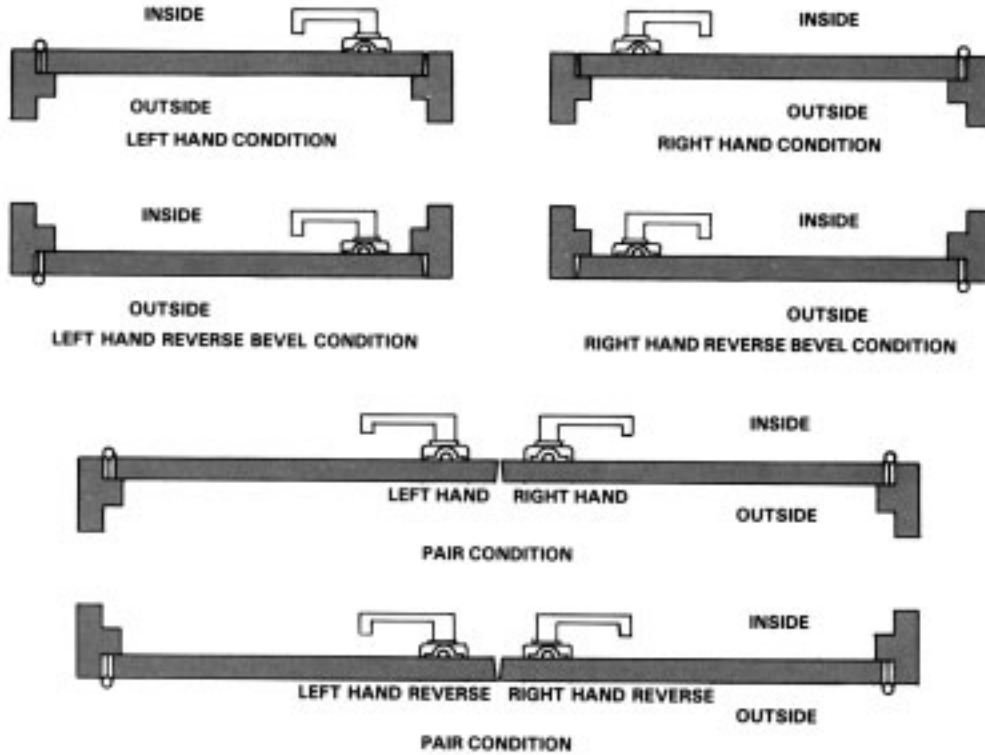


No. 8105
FOR ILLUSTRATION PURPOSES
ONLY. TRIM AVAILABLE ON
EXTERIOR SIDE.



Specifications

HANDING OF CREMONE BOLTS



ORNAMENTAL COVER DESIGN



No. 8106.XXX.CVR

FEATURES: Covers available separately to facilitate stocking all designs.

PACKED: 25 in a box with fasteners.

WEIGHT: 2.7 lbs. (1.22kg)

CONTEMPORARY COVER DESIGN



No. 8107.XXX.CVR

FEATURES: Covers available separately to facilitate stocking all designs.

PACKED: 25 in a box with fasteners.

WEIGHT: 3 lbs. (1.36kg)

Cremone Bolts



No. 8105

STANDARD DESIGN

FEATURES: Supplied without decorative covers for guides. Seven foot Cremone Bolts are supplied with 4 guides and eight foot Cremone Bolts are supplied with 6 guides.

SPECIFICATIONS: Refer to page J/9 for further details.

PACKED: One in a box with 3 strikes and fasteners.

WEIGHT: 5.7 lbs. (2.59kg)

ORDERING INSTRUCTIONS: (less knob or lever)

EXAMPLE: 8105.XXX.R7LK

**NOTE: CUSTOMER MUST SELECT KNOB OR LEVER USED.
THIS IS A SEPARATE PURCHASE.**



No. 8106

ORNAMENTAL DESIGN

FEATURES: Similar to 8105 Cremone Bolts except that the guides are concealed with decorative covers for a more elegant appearance. Seven foot Cremone Bolts are supplied with 4 guides and covers while eight foot Cremone Bolts are supplied with 6 guides and covers.

SPECIFICATIONS: Refer to page J/9 for further details.

PACKED: One in a box with 3 strikes and fasteners.

WEIGHT: 6 lbs. (2.72kg)

ORDERING INSTRUCTIONS: (less knob or lever)

EXAMPLE: 8106.XXX.R7LK

**NOTE: CUSTOMER MUST SELECT KNOB OR LEVER USED.
THIS IS A SEPARATE PURCHASE.**



No. 8107

CONTEMPORARY DESIGN

FEATURES: Similar to 8105 Cremone Bolts except that the guides are concealed with decorative covers for a more elegant appearance. Seven foot Cremone Bolts are supplied with 4 guides and covers while eight foot Cremone Bolts are supplied with 6 guides and covers.

SPECIFICATIONS: Refer to page J/9 for further details.

PACKED: One in a box with 3 strikes and fasteners.

WEIGHT: 6 lbs. (2.72 kg)

ORDERING INSTRUCTIONS: (less knob or lever)

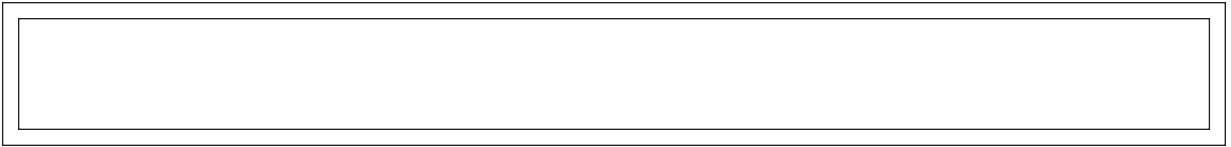
EXAMPLE: 8107.XXX.R7LK

**NOTE: CUSTOMER MUST SELECT KNOB OR LEVER USED.
THIS IS A SEPARATE PURCHASE.**

j

12

REVISION
APR 2005



**RESERVED FOR
FUTURE ADDITIONS**