

MULTI-POINT HOW TO ORDER



Bristol – MP009



Richland – MP011



Lakeshore – MP013



Springfield – MP001



Bismark – MP002



Boulder – MP016



Cody – MP015



Concord – MP004



Kensington – MP003



Watch for this icon as your quick guide to coordinating Baldwin lock hardware throughout your home. Your favorite Baldwin styles are now available in Mortise for entrance needs, Tubular for entrance/interiors, AND Multi-Point for patio doors!

PROFILE CYLINDERS

RECOMMENDED FINISHES	ORIGINAL FINISHES
040	003, 030, 031, 033, 034, 060, 040, 050
112	412, 102, 190, 402, 112
264	055, 056, 150, 151, 260, 264, 452

AMERICAN CYLINDERS

RECOMMENDED FINISHES	ORIGINAL FINISHES
040	003, 030, 031, 033, 034, 040, 050, 060, 102, 112, 190, 402, 412,
264	055, 056, 150, 151, 260, 264, 452

- > FITS 92 AND 105 MM CYLINDER TO LEVER C.T.C.
- > ESTATE COLLECTION FINISH OPTIONS TO SUIT ANY HOME.
- > PROFILE OR AMERICAN CYLINDER.
- > AVAILABLE AS COMPLETE SETS, MINUS LEVER SETS, OR CHOOSE YOUR OWN LEVER STYLE TO BUILD A SET.
- > EASY INSTALLATION WITH ONE-BOX SHIPPING AND CYLINDER/HARDWARE FOR 1.75" THICK DOOR.
- > THROUGH-BOLT MOUNTING.
- > THICK DOOR KITS AVAILABLE.
- > ALL PROFILE AND AMERICAN CYLINDERS ARE FIELD KEYABLE TO BALDWIN KEYWAY.
- > 112 FINISH NOW AVAILABLE FOR ALL PROFILE CYLINDERS

STEP 1

PICK YOUR MULTI-POINT TRIM

EXAMPLE # **MP004** . xxx . xxxx

Trim Code	Description
MP001	Springfield Multi-Point Trim
MP002	Bismark Multi-Point Trim
MP003	Kensington Multi-Point Trim
MP004	Concord Multi-Point Trim
MP009	Bristol Multi-Point Trim
MP011	Richland Multi-Point Trim
MP013	Lakeshore Multi-Point Trim
MP015	Cody Multi-Point Trim
MP016	Boulder Multi-Point Trim

STEP 2

CHOOSE YOUR DOOR CONFIGURATION

EXAMPLE # MP004 . xxx . xxx**1**

Configuration #	Description	Measurement	Page
Configuration 1	Profile Cylinder Below Handle	92mm CTC, 8.5" Mounting Hole CTC	146
Configuration 2	American Cylinder Above Handle	105mm CTC, 8.5" Mounting Hole CTC	148
Configuration 3	American Cylinder Below Handle	92mm CTC, 8.375" Mounting Hole CTC	150
Configuration 4	Profile Cylinder Below Handle	92mm CTC, 7.875" Mounting Hole CTC	152
Configuration 5	American Cylinder Above or Below Handle	92mm CTC, 7.5625" Mounting Hole CTC	154
Configuration 6	American Cylinder Above Handle	92mm CTC, 7.25" Mounting Hole CTC	156

STEP 3

CHOOSE YOUR FUNCTION

EXAMPLE # MP004 . xxx . **ACT**

Function Code	Description
ACT	Entry, keyed w/ turnknob (supplied w/ cylinder for 1 3/4" door thickness)
FDP	Passage, active, no cylinder or turnknob
AIN	Inactive outside and active inside- non-keyed
FD	Inactive, non-keyed
PAT	Patio, non-keyed

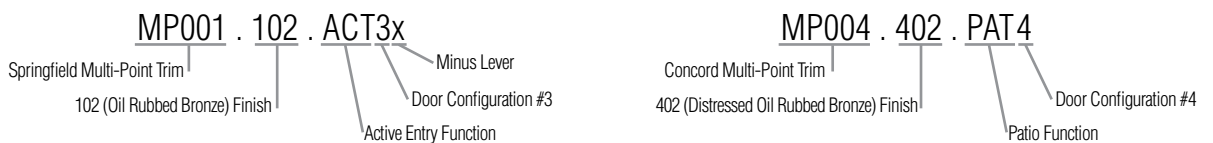
STEP 4

SPECIFY MINUS LEVER OPTION, IF DESIRED:

EXAMPLE # MP004 . xxx . ACT**x**

Add "x" to suffix for minus lever option.
Otherwise trim ships with stock lever choice as shown.

Examples:



STEP 5

IF A LEVER OTHER THAN THE STANDARD IS DESIRED

Order a trim without levers and order levers separately.

STEP 6

IF SPLIT FINISH

Order escutcheons, levers, and corresponding thick door kits separately.

MULTI-POINT HOW TO ORDER - STEP 1

STEP 1

PICK YOUR MULTI-POINT TRIM

EXAMPLE # **MP004** . XXX . XXXX

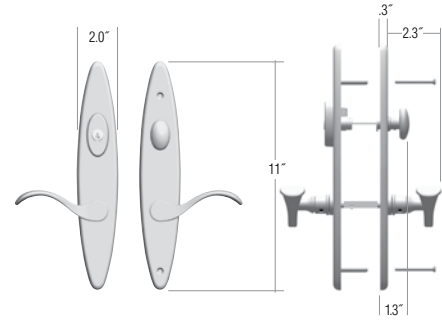
MULTI-POINT TIER 1

Springfield – MP001
5455 lever included

**Profile Cylinder
Below Handle**



**American Cylinder
Above & Below**

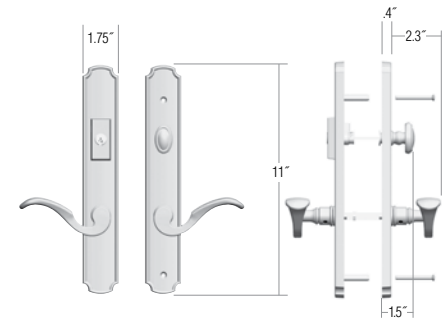


Bismark – MP002
5152 lever included

**Profile Cylinder
Below Handle**



**American Cylinder
Above & Below**

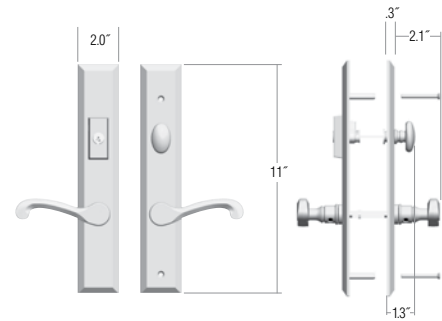


Concord – MP004
5445 lever included

**Profile Cylinder
Below Handle**



**American Cylinder
Above & Below**

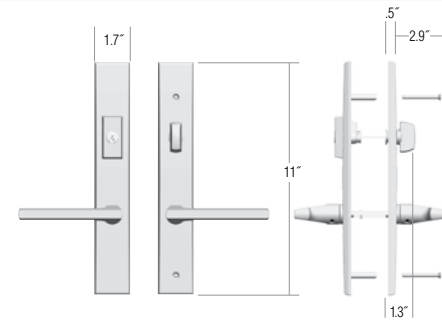


Lakeshore – MP013
5162 lever included

**Profile Cylinder
Below Handle**



**American Cylinder
Above & Below**

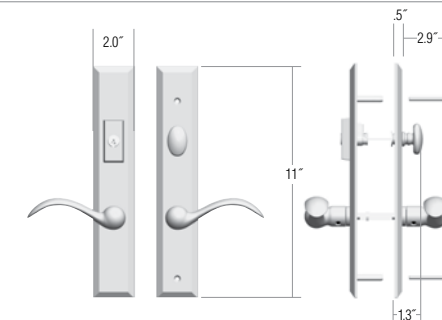


Cody – MP015
5452 lever included

**Profile Cylinder
Below Handle**





**American Cylinder
Above & Below**

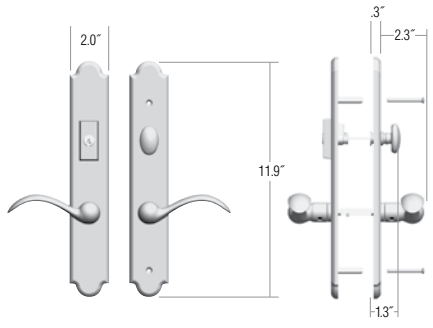


BALDWIN

MP016 – Boulder
5452 lever included


Profile Cylinder Below Handle 


American Cylinder Above & Below 

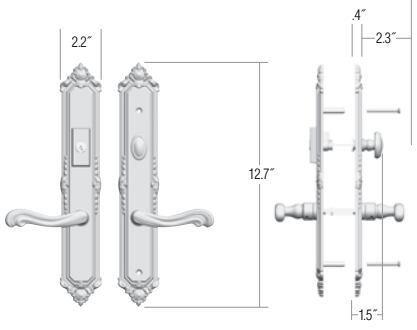


MULTI-POINT
TIER 2

Kensington – MP003
5108 lever included


Profile Cylinder Below Handle 

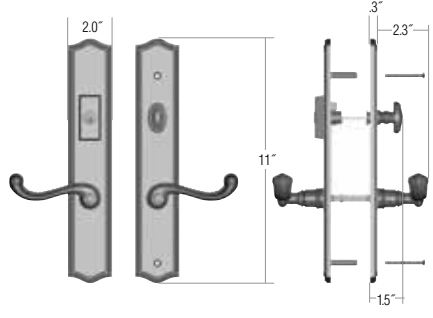
American Cylinder Above & Below 



Bristol – MP009
5104 lever included

Profile Cylinder Below Handle 

American Cylinder Above & Below 



Richland – MP011
5190 lever included

Profile Cylinder Below Handle 

American Cylinder Above & Below 



STEP 3 (CONT)

THICK DOOR KIT — CONFIGURATION #1

EXAMPLE # **MP000 . XXX . ACTD**

Thick Door Kits
Tier 1 & Tier 2

	Included w/standard sets							List Price
ACT1	1 ¾"	2"	2 ¼"	2 ¾"	2 ½"	2 ¾"		
All others	MP000.xxx.ACTD	MP000.xxx.ACTD	MP000.xxx.ACTE	MP000.xxx.ACTF	MP000.xxx.ACTG	MP000.xxx.ACTG		\$120
Bismark, Kensington, Lakeshore	MP000.xxx.ACTD	MP000.xxx.ACTE	MP000.xxx.ACTE	MP000.xxx.ACTF	MP000.xxx.ACTG	MP000.xxx.ACTI		\$120
PAT1	1 ¾"	2"	2 ¼"	2 ¾"	2 ½"	2 ¾"		
All others	MP000.xxx.PATJ	MP000.xxx.PATJ	MP000.xxx.PATK	MP000.xxx.PATL	MP000.xxx.PATM	MP000.xxx.PATM		\$25
Bismark, Kensington, Lakeshore	MP000.xxx.PATJ	MP000.xxx.PATK	MP000.xxx.PATK	MP000.xxx.PATL	MP000.xxx.PATM	MP000.xxx.PATO		\$25
AIN Sets	1 ¾" – 2 ¼"			2 ¾" – 2 ¾"				
	MP000.000.AINS	—	—	MP000.000.AINT	—	—		\$25
FD Sets	1 ¾" – 2 ¼"			2 ¾" – 2 ¾"				
	MP000.000.FDPTP	—	—	MP000.000.FDPTQ	—	—		\$25
FDP Sets	1 ¾" – 2 ¼"			2 ¾" – 2 ¾"				
	MP000.000.FDPTP	—	—	MP000.000.FDPTQ	—	—		\$25

- > Baldwin Multi-Point Active & Patio trims assume 1.75" door thickness.
- For thicker doors, please order a Thick Door kit according to the chart below. Specify cylinder finish where noted.
- > Available cylinder finishes include ONLY 264 (Satin Chrome), 040 (Satin Brass) and 112 (Venetian Bronze).
- > See finish chart on page 176 for cylinder finish recommendations.

ACT kits include: 8mm to 7.3mm Conversion Spindle, Keyed Cylinder, and Cylinder Installation Hardware
 PAT kits include: 8mm to 7.3mm Conversion Spindle, Patio Cylinder, and Cylinder Installation Hardware
 AIN kits include: Half spindle, and Spindle Installation Hardware
 FDPTP kits include: 8mm to 7.3mm Conversion Spindle

STEP 3 (CONT)

THICK DOOR KIT — CONFIGURATION #2

EXAMPLE # **MP000 . XXX . ACTR**

Thick Door Kits
Tier 1 & Tier 2

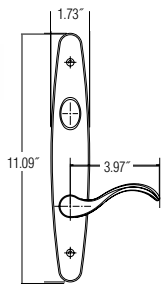
	Included w/standard sets	List Price
ACT2*	1 ¾" MP000.xxx.ACTR*	— \$115
AIN Sets	1.75" MP000.000.AINS	— \$25
AIN Sets	2" to 2 ¼" MP000.000.AINS	2 ¾" to 3" MP000.000.AINT \$25
FD Sets	1 ¾" to 2 ¼" MP000.000.FDPTP	2 ¾" to 2 ¾" MP000.000.FDPTQ \$25
FDP Sets	1 ¾" to 2 ¼" MP000.000.FDPTP	2 ¾" to 2 ¾" MP000.000.FDPTQ \$25

> Specify cylinder finish where noted.
> *ACT2 - Finish matches trim exactly (any of the 21 Baldwin finishes)

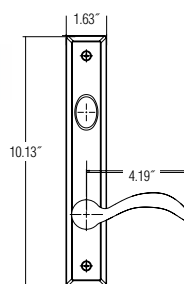
ACT kits include: 8mm to 7.3mm Conversion Spindle, Keyed Cylinder, and Cylinder Installation Hardware
AIN kits include: Half spindle, and Spindle Installation Hardware
FDPTP kits include: 8mm to 7.3mm Conversion Spindle

105 MM Double Door
Boulder, Cody, Concord, Springfield

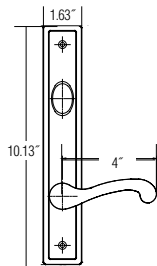
Springfield
MP001



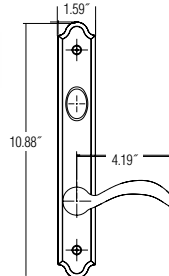
Cody
MP015



Concord
MP004



Boulder
MP016



Item #	Description	030, 031 033, 034, 040 050, 060, 102 112, 150, 151 190, 260, 264	003, 055 056, 402 412, 452
FWHAP	Active & Inactive Set	\$1025	1175
FWHAX	Active & Inactive Set w/o Levers	735	845

NOTE:
> Boulder, Cody, Concord, Springfield Double Door Applications Only — Due to the special fit requirements of applying these four 105mm CTC styles in a double door application, the modified dimensions shown below apply to these four styles for double door applications only. Please specify function 'FWHAP' or 'FWHAX' to order. Pricing is as shown.
> Due to the width of the escutcheon plates, Bristol, Richland and Kensington are not recommended on double door applications for 105mm CTC configurations.
> The standard Bismark and Lakeshore plates can be used on double door applications for 105mm CTC configurations.

MULTI-POINT HOW TO ORDER, CONFIGURATION 3

STEP 1

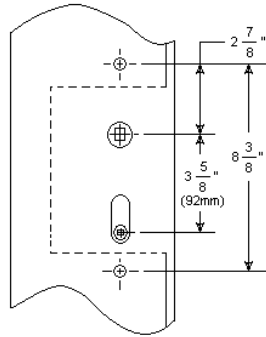
PICK YOUR MULTI-POINT TRIM

EXAMPLE # **MP004** . xxx . xxx

STEP 2

CHOOSE YOUR DOOR CONFIGURATION

EXAMPLE # MP004 . xxx . **xxx3**

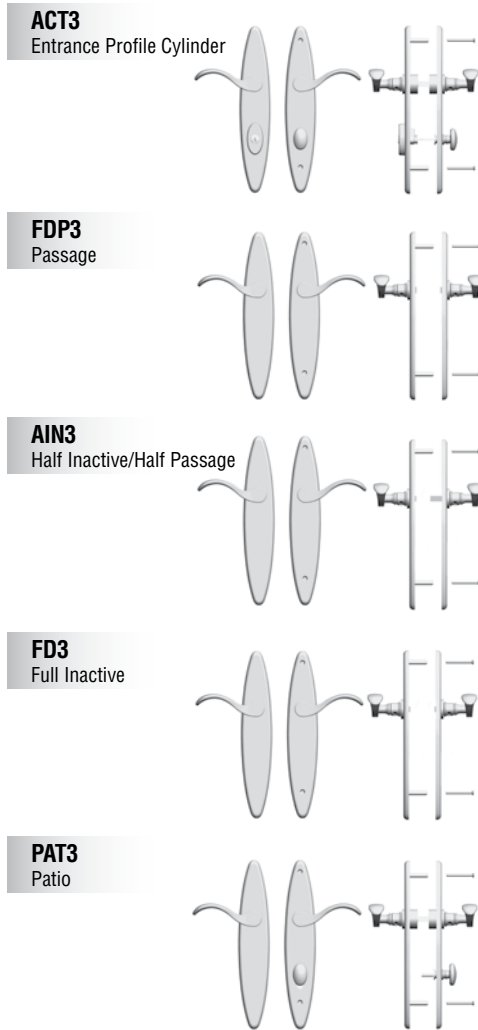


Configuration #	Description
Configuration 3	American Cylinder Below Handle — 3 5/8" (92 mm) center to center 8 3/8" center to center mounting hole location

STEP 3

CHOOSE YOUR FUNCTION — CONFIGURATION #3

EXAMPLE # MP004 . xxx . **ACT3**



Bismark, Boulder, Cody, Concord, Lakeshore, Springfield				Without Levers	
Tier 1				030, 031	
Item #	Description	033, 034, 040	003, 055	030, 031	003, 055
		050, 060, 102	056, 402	050, 060, 102	056, 402
		112, 150, 151	412, 452	112, 150, 151	056, 402
		190, 260, 264		190, 260, 264	412, 452
Entrance American Cylinder Multi-point					
ACT3	Entry - Keyed W/ Turnknob	\$575	\$650	\$430	\$485
Passage Multi-point					
FDP3	Passage - Active No Cylinder Or Turnknob				
Half Inactive / Half Passage Multi-point					
AIN3	Inactive Outside And Active Inside - Non-keyed	450	525	305	360
Full Inactive Multi-point					
FD3	Inactive - Non-keyed				
Patio Multi-point					
PAT3	Patio - Non-keyed				
Multi-point, Escutcheons ONLY					
KNI3	KN, Cut for Knob Inside				
KNIR3	KN, Cut for Knob Inside - Rigid Lever				
KNO3	KN, Cut for Knob Outside	\$190	220		
KNOR3	KN, Cut for Knob Outside - Rigid Lever				
KC3	KC, Cut for Cylinder Outside - American C3	220	250		
KT3	KT, Cut for Turnpiece Inside - American C3				
PKT3	Patio KT, Cut for Turnpiece Inside - C3	210	240		

Kensington, Bristol, Richland				Without Levers	
Tier 2				030, 031	
Item #	Description	033, 034, 040	003, 055	030, 031	003, 055
		050, 060, 102	056, 402	050, 060, 102	056, 402
		112, 150, 151	412, 452	112, 150, 151	056, 402
		190, 260, 264		190, 260, 264	412, 452
Entrance American Cylinder Multi-point					
ACT3	Entry - Keyed W/ Turnknob	\$625	\$700	\$480	\$535
Passage Multi-point					
FDP3	Passage - Active No Cylinder Or Turnknob				
Half Inactive / Half Passage Multi-point					
AIN3	Inactive Outside And Active Inside - Non-keyed	500	575	355	410
Full Inactive Multi-point					
FD3	Inactive - Non-keyed				
Patio Multi-point					
PAT3	Patio - Non-keyed				
Multi-point, Escutcheons ONLY					
KNI3	KN, Cut for Knob Inside				
KNIR3	KN, Cut for Knob Inside - Rigid Lever				
KNO3	KN, Cut for Knob Outside	\$210	240		
KNOR3	KN, Cut for Knob Outside - Rigid Lever				
KC3	KC, Cut for Cylinder Outside - American C3	240	270		
KT3	KT, Cut for Turnpiece Inside - American C3				
PKT3	Patio KT, Cut for Turnpiece Inside - C3	230	260		

STEP 3 (CONT)

THICK DOOR KIT — CONFIGURATION #3

EXAMPLE # **MP000 . XXX . ACTA**

Thick Door Kits
Tier 1 & Tier 2

	Included w/standard sets			
ACT3	1 3/4" to 2 1/4"	2 3/8" to 2 1/2"	2 3/4"	List Price
	MP000.xxx.ACTA	MP000.xxx.ACTB	MP000.xxx.ACTC	\$115
PAT3	1 3/4" to 2 1/4"	2 3/8" to 2 3/4"		
	MP000.000.FDPTP	MP000.000.FDPTQ	—	\$25
AIN Sets	1 3/4" to 2 1/4"	2 3/8" to 2 3/4"		
	MP000.000.AINS	MP000.000.AINT	—	\$25
FD Sets	1 3/4" to 2 1/4"	2 3/8" to 2 3/4"		
	MP000.000.FDPTP	MP000.000.FDPTQ	—	\$25
FDP Sets	1 3/4" to 2 1/4"	2 3/8" to 2 3/4"		
	MP000.000.FDPTP	MP000.000.FDPTQ	—	\$25

- > Config #3 Multi-Point come standard for 1 3/4" to 2 1/4" door thickness. For thicker doors, please order a Thick Door kit according to the chart above.
- > Specify cylinder finish where noted. Available cylinder finishes include 264 (Satin Chrome) and 040 (Satin Brass) ONLY.
- > See finish chart on page 176 for cylinder finish recommendations.

ACT kits include: 8mm to 7.3mm Conversion Spindle, Keyed Cylinder, and Cylinder Installation Hardware
 PAT kits include: 8mm to 7.3mm Conversion Spindle
 AIN kits include: Half spindle, and Spindle Installation Hardware
 FDPTP kits include: 8mm to 7.3mm Conversion Spindle

MULTI-POINT HOW TO ORDER, CONFIGURATION 4

STEP 1

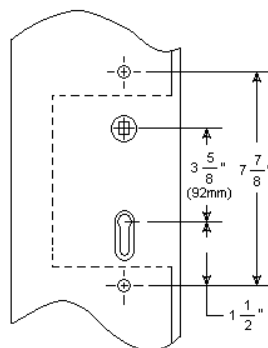
PICK YOUR MULTI-POINT TRIM

EXAMPLE # **MP004** . xxx . xxxx

STEP 2

CHOOSE YOUR DOOR CONFIGURATION

EXAMPLE # MP004 . xxx . xxx**4**



Configuration # Description

Configuration 4 Profile Cylinder Below Handle —
3 5/8" (92 mm) center to center
7 7/8" center to center mounting hole location

STEP 3

CHOOSE YOUR FUNCTION — CONFIGURATION #4

EXAMPLE # MP004 . xxx . **ACT4**

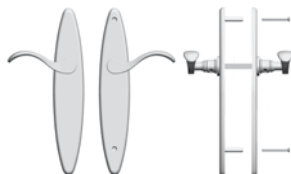
ACT4

Entrance Profile Cylinder



FDP4

Passage



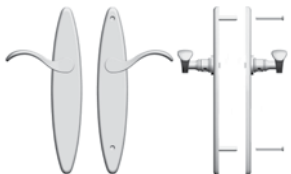
AIN4

Half Inactive/Half Passage



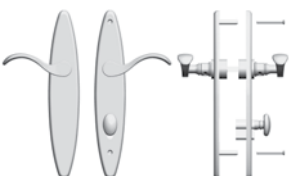
FD4

Full Inactive



PAT4

Patio



Bismark, Boulder, Cody, Concord, Lakeshore, Springfield

Tier 1

030, 031

033, 034, 040

050, 060, 102

112, 150, 151

190, 260, 264

003, 055

056, 402

412, 452

Without Levers

030, 031

033, 034, 040

050, 060, 102

112, 150, 151

190, 260, 264

003, 055

056, 402

412, 452

Item # Description

Entrance Profile Cylinder Multi-point

ACT4 Entry - Keyed W/ Turnknob

\$550

\$625

\$405

\$460

Passage Multi-point

FDP4 Passage - Active No Cylinder Or Turnknob

Half Inactive / Half Passage Multi-point

AIN4 Inactive Outside And Active Inside - Non-keyed

450

525

305

360

Full Inactive Multi-point

FD4 Inactive - Non-keyed

Patio Multi-point

PAT4 Patio - Non-keyed

Multi-point, Escutcheons ONLY

KNI4 KN, Cut for Knob Inside

KNIR4 KN, Cut for Knob Inside - Rigid Lever

\$190

220

KNO4 KN, Cut for Knob Outside

KNOR4 KN, Cut for Knob Outside - Rigid Lever

KC4 KC, Cut for Cylinder Outside - Pro C4

210

240

KCT4 KC, Cut for Cylinder Inside - Pro C4

Kensington, Bristol, Richland

Tier 2

030, 031

033, 034, 040

050, 060, 102

112, 150, 151

190, 260, 264

003, 055

056, 402

412, 452

Without Levers

030, 031

033, 034, 040

050, 060, 102

112, 150, 151

190, 260, 264

003, 055

056, 402

412, 452

Item # Description

Entrance Profile Cylinder Multi-point

ACT4 Entry - Keyed W/ Turnknob

\$600

\$675

\$455

\$510

Passage Multi-point

FDP4 Passage - Active No Cylinder Or Turnknob

Half Inactive / Half Passage Multi-point

AIN4 Inactive Outside And Active Inside - Non-keyed

500

575

355

410

Full Inactive Multi-point

FD4 Inactive - Non-keyed

Patio Multi-point

PAT4 Patio - Non-keyed

Multi-point, Escutcheons ONLY

KNI4 KN, Cut for Knob Inside

KNIR4 KN, Cut for Knob Inside - Rigid Lever

\$210

\$240

KNO4 KN, Cut for Knob Outside

KNOR4 KN, Cut for Knob Outside - Rigid Lever

KC4 KC, Cut for Cylinder Outside - Pro C4

230

260

KCT4 KC, Cut for Cylinder Inside - Pro C4

STEP 3 (CONT)

THICK DOOR KIT — CONFIGURATION #4

EXAMPLE # **MP000 . XXX . ACTD**

Thick Door Kits
Tier 1 & Tier 2

	Included w/standard sets						
	1 3/4"	2"	2 1/4"	2 3/4"	2 1/2"	2 3/4"	List Price
ACT4							
All others	MP000.xxx.ACTD	MP000.xxx.ACTD	MP000.xxx.ACTE	MP000.xxx.ACTF	MP000.xxx.ACTG	MP000.xxx.ACTG	\$120
Bismark, Kensington, Lakeshore	MP000.xxx.ACTD	MP000.xxx.ACTE	MP000.xxx.ACTE	MP000.xxx.ACTF	MP000.xxx.ACTG	MP000.xxx.ACTI	\$120
PAT4	1 3/4"	2"	2 1/4"	2 3/4"	2 1/2"	2 3/4"	
All others	MP000.xxx.PATJ	MP000.xxx.PATJ	MP000.xxx.PATK	MP000.xxx.PATL	MP000.xxx.PATM	MP000.xxx.PATM	\$120
Bismark, Kensington, Lakeshore	MP000.xxx.PATJ	MP000.xxx.PATK	MP000.xxx.PATK	MP000.xxx.PATL	MP000.xxx.PATM	MP000.xxx.PATO	\$120
AIN Sets	1 3/4" to 2 1/4"			2 3/4" to 2 3/4"			
	MP000.000.AINS	—	—	MP000.000.AINT	—	—	\$25
FD Sets	1 3/4" to 2 1/4"			2 3/4" to 2 3/4"			
	MP000.000.FDPTP	—	—	MP000.000.FDPTQ	—	—	\$25
FDP Sets	1 3/4" to 2 1/4"			2 3/4" to 2 3/4"			
	MP000.000.FDPTP	—	—	MP000.000.FDPTQ	—	—	\$25

- > Config #4 Multi-Point Active and Patio trims assume 1.75" door thickness. For thicker doors, please order a Thick Door kit according to the chart above. Specify cylinder finish where noted.
- > Available cylinder finishes include ONLY 264 (Satin Chrome), 040 (Satin Brass) and 112 (Venetian Bronze).
- > See finish chart on page 176 for cylinder finish recommendations.

ACT kits include: 8mm to 7.3mm Conversion Spindle, Keyed Cylinder, and Cylinder Installation Hardware
 PAT kits include: 8mm to 7.3mm Conversion Spindle, Patio Cylinder and Cylinder Installation Hardware
 AIN kits include: Half spindle, and Spindle Installation Hardware
 FDPTP kits include: 8mm to 7.3mm Conversion Spindle

STEP 3 (CONT)

THICK DOOR KIT — CONFIGURATION #5

EXAMPLE # **MP000 . XXX . ACTA**

Thick Door Kits
Tier 1 & Tier 2

	Included w/standard sets			
ACT5	1 3/4" to 2 1/4"	2 3/8" to 2 1/2"	2 3/4"	List Price
	MP000.xxx.ACTA	MP000.xxx.ACTB	MP000.xxx.ACTC	\$115
PAT5	1 3/4" to 2 1/4"	2 3/8" to 2 3/4"		
	MP000.000.FDPTP	MP000.000.FDPTQ	—	\$25
AIN Sets	1 3/4" to 2 1/4"	2 3/8" to 2 3/4"		
	MP000.000.AINS	MP000.000.AINT	—	\$25
FD Sets	1 3/4" to 2 1/4"	2 3/8" to 2 3/4"		
	MP000.000.FDPTP	MP000.000.FDPTQ	—	\$25
FDP Sets	1 3/4" to 2 1/4"	2 3/8" to 2 3/4"		
	MP000.000.FDPTP	MP000.000.FDPTQ	—	\$25

- > Config #5 Multi-Point trims come standard for 1 3/4" to 2 1/4" door thickness. For thicker doors, please order a Thick Door kit according to the chart above. Specify cylinder finish where noted.
- > Available cylinder finishes include 264 (Satin Chrome) and 040 (Satin Brass) ONLY.
- > See finish chart on page 176 for cylinder finish recommendations.

- ACT kits include: 8mm to 7.3mm Conversion Spindle, Keyed Cylinder, and Cylinder Installation Hardware
- PAT kits include: 8mm to 7.3mm Conversion Spindle
- AIN kits include: Half spindle, and Spindle Installation Hardware
- FDPTP kits include: 8mm to 7.3mm Conversion Spindle

STEP 3 (CONT)

THICK DOOR KIT — CONFIGURATION #6

EXAMPLE # **MP000 . XXX . ACTA**

Thick Door Kits
Tier 1 & Tier 2

	Included w/standard sets			
ACT5	1 3/4" to 2 1/4"	2 3/8" to 2 1/2"	2 3/4"	List Price
	MP000.xxx.ACTA	MP000.xxx.ACTB	MP000.xxx.ACTC	\$120
PAT5	1 3/4" to 2 1/4"	2 3/8" to 2 3/4"		
	MP000.000.FDPTP	MP000.000.FDPTQ	—	\$25
AIN Sets	1 3/4" to 2 1/4"	2 3/8" to 2 3/4"		
	MP000.000.AINS	MP000.000.AINT	—	\$25
FD Sets	1 3/4" to 2 1/4"	2 3/8" to 2 3/4"		
	MP000.000.FDPTP	MP000.000.FDPTQ	—	\$25
FDP Sets	1 3/4" to 2 1/4"	2 3/8" to 2 3/4"		
	MP000.000.FDPTP	MP000.000.FDPTQ	—	\$25

> Config #6 Multi-Point trims come standard for 1 3/4" to 2 1/4" door thickness. For thicker doors, please order a Thick Door kit according to the chart above. Specify cylinder finish where noted.
> Available cylinder finishes include 264 (Satin Chrome) and 040 (Satin Brass) ONLY.
> See finish chart on page 176 for cylinder finish recommendations.

ACT kits include: 8mm to 7.3mm Conversion Spindle, Keyed Cylinder, and Cylinder Installation Hardware
 PAT kits include: 8mm to 7.3mm Conversion Spindle
 AIN kits include: Half spindle, and Spindle Installation Hardware
 FDPTP kits include: 8mm to 7.3mm Conversion Spindle

EUROPEAN MORTISE HOW TO ORDER, EUROPEAN MORTISE

STEP 1

PICK YOUR MORTISE TRIM

EXAMPLE # **MP004** . XXX . XXXX

Trim Code	Description
MP001	Springfield European Mortise Trim
MP002	Bismark European Mortise Trim
MP003	Kensington European Mortise Trim
MP004	Concord European Mortise Trim
MP009	Bristol European Mortise Trim
MP011	Richland European Mortise Trim
MP013	Lakeshore European Mortise Trim
MP015	Cody European Mortise Trim
MP016	Boulder European Mortise Trim

STEP 2

CHOOSE YOUR DOOR CONFIGURATION

EXAMPLE # MP004 . xxx . **xxx7**

Configuration #	Description	Measurement	Page
Configuration 7	European Mortise	72mm CTC,	
Configuration 8	European Mortise	85mm CTC,	

STEP 3

CHOOSE YOUR FUNCTION

EXAMPLE # MP004 . xxx . **ACT**

Function Code	Description
ACT	Entry, keyed w/ turnknob (supplied w/ cylinder for 1 3/4" door thickness)
FDP	Passage, active, no cylinder or turnknob
AIN	Inactive outside and active inside- non-keyed
FD	Inactive, non-keyed
PAT	Patio, non-keyed

STEP 4

SPECIFY MINUS LEVER OPTION, IF DESIRED:

EXAMPLE # MP004 . xxx . **ACTx**

Add "x" to suffix for minus lever option.
Otherwise trim ships with stock lever choice as shown.

Examples:

MP001 . 102 . ACT7x

Springfield European Mortise Trim
102 (Oil Rubbed Bronze) Finish

Active Entry Function

Door Configuration #7

Minus Lever

MP004 . 402 . PAT8

Concord European Mortise Trim
402 (Distressed Oil Rubbed Bronze) Finish

Patio Function

Door Configuration #8

STEP 5

IF A LEVER OTHER THAN THE STANDARD IS DESIRED

Order a trim without levers and order levers separately.

STEP 6

IF SPLIT FINISH, ORDER COMPONENTS SEPARATELY

Escutcheon, lever, kit will be priced separately

RECOMMENDED CYLINDER FINISHES

RECOMMENDED FINISHES	ORIGINAL FINISHES
040	003, 030, 031, 033, 034, 060, 040, 050
112	412, 102, 190, 402, 112
264	055, 056, 150, 151, 260, 264, 452

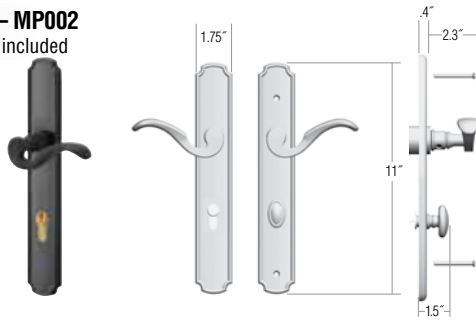
STEP 1

PICK YOUR MORTISE TRIM

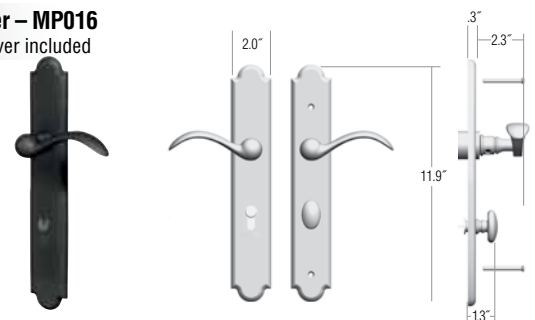
EXAMPLE # **MP004** . XXX . XXXX

Mortise – Tier 1

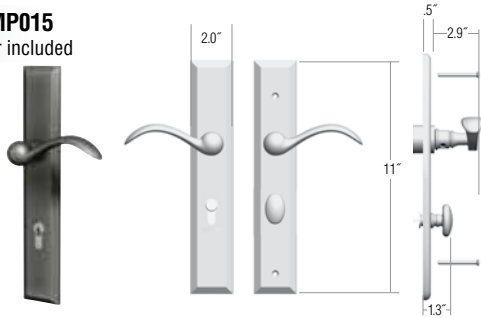
Bismark – MP002
5152 lever included



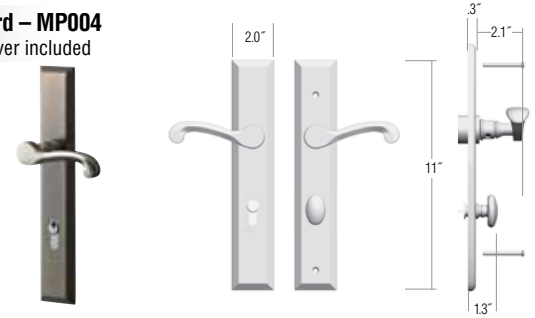
Boulder – MP016
5452 lever included



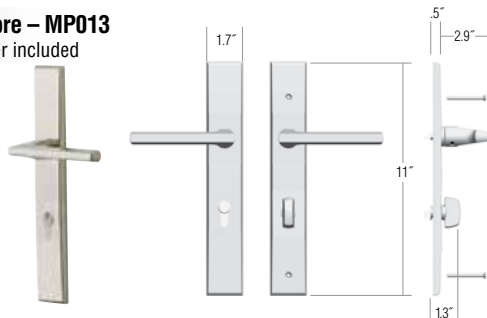
Cody – MP015
5452 lever included



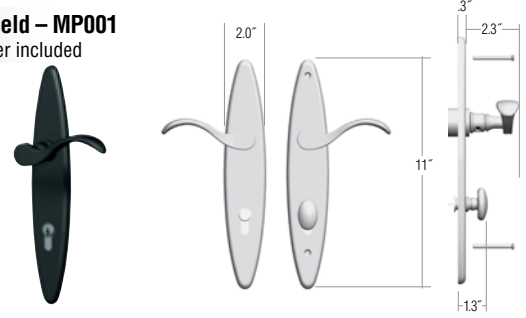
Concord – MP004
5445 lever included



Lakeshore – MP013
5162 lever included

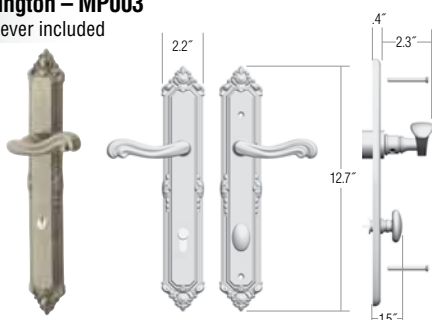


Springfield – MP001
5455 lever included

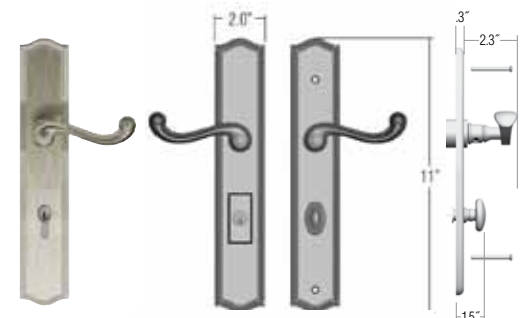


Mortise – Tier 2

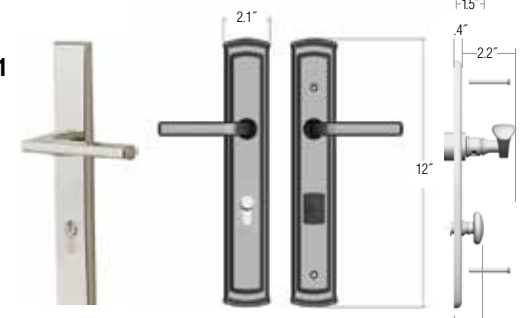
Kensington – MP003
5108 lever included



Bristol – MP009
5104 lever included



Richland – MP011
5190 lever included



EUROPEAN MORTISE HOW TO ORDER, CONFIGURATION 7

STEP 1

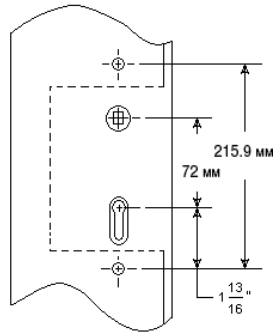
PICK YOUR MORTISE TRIM

EXAMPLE # **MP004** . xxx . xxxx

STEP 2

CHOOSE YOUR DOOR CONFIGURATION

EXAMPLE # MP004 . xxx . xxx**7**



Configuration # Description

Configuration 7 European Mortise Cylinder — 72mm center to center
215.9 mm center to center mounting hole location

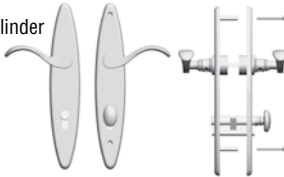
STEP 3

CHOOSE YOUR FUNCTION — CONFIGURATION #7

EXAMPLE # MP004 . xxx . **ACT7**

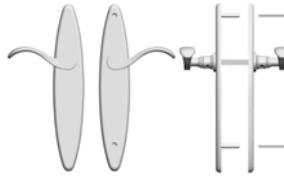
ACT7

Entrance Mortise Cylinder



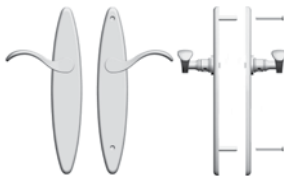
FDP7

Passage



FD7

Full Inactive



PAT7

Patio



Bismark, Boulder, Cody, Concord, Lakeshore, Springfield

Tier 1

Without Levers

Item #	Description	030, 031		030, 031	
		033, 034, 040	003, 055	033, 034, 040	003, 055
		050, 060, 102	056, 402	050, 060, 102	056, 402
		112, 150, 151	412, 452	112, 150, 151	412, 452
		190, 260, 264		190, 260, 264	
ACT7	Entrance Mortise Cylinder European Mortise Entry - Keyed W/ Turnknob	\$550	\$625	\$405	\$460
Passage European Mortise					
FDP7	Passage - Active No Cylinder Or Turnknob				
Full Inactive European Mortise					
FD7	Inactive - Non-keyed	450	525	305	360
Patio European Mortise					
PAT7	Patio - Non-keyed				
Escutcheons ONLY					
KN17	KN, Cut for Knob Inside				
KN1R7	KN, Cut for Knob Inside - Rigid Lever				
KN07	KN, Cut for Knob Outside	\$190	\$220		
KN0R7	KN, Cut for Knob Outside - Rigid Lever				
KC7	KC, Cut for Cylinder Outside - Pro C1				
KCT7	KC, Cut for Cylinder Inside - Pro C1	210	240		

Kensington, Bristol, Richland

Tier 2

Without Levers

Item #	Description	030, 031		030, 031	
		033, 034, 040	003, 055	033, 034, 040	003, 055
		050, 060, 102	056, 402	050, 060, 102	056, 402
		112, 150, 151	412, 452	112, 150, 151	412, 452
		190, 260, 264		190, 260, 264	
ACT7	Entrance Mortise Cylinder European Mortise Entry - Keyed W/ Turnknob	\$600	\$675	\$455	\$510
Passage European Mortise					
FDP7	Passage - Active No Cylinder Or Turnknob				
Full Inactive European Mortise					
FD7	Inactive - Non-keyed	500	575	355	410
Patio European Mortise					
PAT7	Patio - Non-keyed				
Escutcheons ONLY					
KN17	KN, Cut for Knob Inside				
KN1R7	KN, Cut for Knob Inside - Rigid Lever				
KN07	KN, Cut for Knob Outside	\$210	\$240		
KN0R7	KN, Cut for Knob Outside - Rigid Lever				
KC7	KC, Cut for Cylinder Outside - Pro C1				
KCT7	KC, Cut for Cylinder Inside - Pro C1	230	260		

STEP 3 (CONT)

THICK DOOR KIT — CONFIGURATION #7

EXAMPLE # **MP000 . XXX . ACTD**

Thick Door Kits
Tier 1 & Tier 2

	Included w/standard sets							List Price
ACT1	1 ¾"	2"	2 ¼"	2 ⅝"	2 ½"	2 ¾"		
All others	MP000.xxx.ACTD	MP000.xxx.ACTD	MP000.xxx.ACTE	MP000.xxx.ACTF	MP000.xxx.ACTG	MP000.xxx.ACTG		\$120
Bismark, Kensington, Lakeshore	MP000.xxx.ACTD	MP000.xxx.ACTE	MP000.xxx.ACTE	MP000.xxx.ACTF	MP000.xxx.ACTG	MP000.xxx.ACTI		\$120
PAT1	1 ¾"	2"	2 ¼"	2 ⅝"	2 ½"	2 ¾"		
All others	MP000.xxx.PATJ	MP000.xxx.PATJ	MP000.xxx.PATK	MP000.xxx.PATL	MP000.xxx.PATM	MP000.xxx.PATM		\$120
Bismark, Kensington, Lakeshore	MP000.xxx.PATJ	MP000.xxx.PATK	MP000.xxx.PATK	MP000.xxx.PATL	MP000.xxx.PATM	MP000.xxx.PATO		\$120
FD Sets	1 ¾" to 2 ¼"			2 ⅝" to 2 ¾"				
	MP000.000.FDPTP	—	—	MP000.000.FDPTQ	—	—		\$25
FDP Sets	1 ¾" to 2 ¼"			2 ⅝" to 2 ¾"				
	MP000.000.FDPTP	—	—	MP000.000.FDPTQ	—	—		\$25

- > Baldwin European Mortise trims assume 1.75" door thickness.
- > For thicker doors, please order a Thick Door kit according to the chart below.
Specify cylinder finish where noted.
- > Available cylinder finishes include ONLY 264 (Satin Chrome), 040 (Satin Brass) and 112 (Venetian Bronze).
- > See finish chart on page 156 for cylinder finish recommendations.

ACT kits include: 8mm to 7.3mm Conversion Spindle, Keyed Cylinder, and Cylinder Installation Hardware
 PAT kits include: 8mm to 7.3mm Conversion Spindle, Patio Cylinder, and Cylinder Installation Hardware
 FDPTP kits include: 8mm to 7.3mm Conversion Spindle

EUROPEAN MORTISE HOW TO ORDER, CONFIGURATION 8

STEP 1

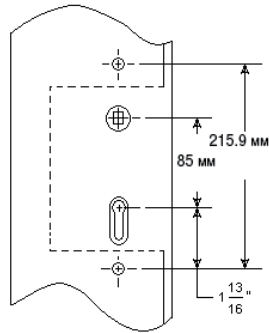
PICK YOUR MORTISE TRIM

EXAMPLE # **MP004** . xxx . xxxX

STEP 2

CHOOSE YOUR DOOR CONFIGURATION

EXAMPLE # MP004 . xxx . xxx**8**



Configuration # Description

Configuration 8 European Mortise Cylinder — 85mm center to center
215.9 mm center to center mounting hole location

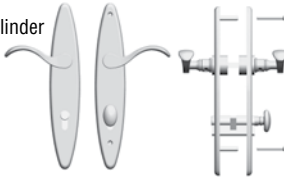
STEP 3

CHOOSE YOUR FUNCTION — CONFIGURATION #8

EXAMPLE # MP004 . xxx . **ACT8**

ACT8

Entrance Mortise Cylinder



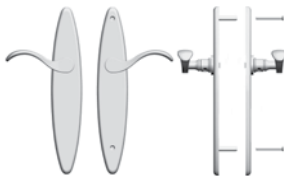
FDP8

Passage



FD8

Full Inactive



PAT8

Patio



Bismark, Boulder, Cody, Concord, Lakeshore, Springfield

Tier 1

Without Levers

Item #	Description	030, 031		030, 031	
		033, 034, 040	003, 055	033, 034, 040	003, 055
ACT8	Entrance Mortise Cylinder European Mortise Entry - Keyed W/ Turnknob	\$550	\$625	\$405	\$460
FDP8	Passage European Mortise Passage - Active No Cylinder Or Turnknob				
FD8	Full Inactive European Mortise Inactive - Non-keyed	450	525	305	360
PAT8	Patio European Mortise Patio - Non-keyed				
Escutcheons ONLY					
KN18	KN, Cut for Knob Inside				
KN1R8	KN, Cut for Knob Inside - Rigid Lever	\$190	220		
KN08	KN, Cut for Knob Outside				
KN0R8	KN, Cut for Knob Outside - Rigid Lever				
KC8	KC, Cut for Cylinder Outside - Pro C1	210	240		
KCT8	KC, Cut for Cylinder Inside - Pro C1				

Kensington, Bristol, Richland

Tier 2

Without Levers

Item #	Description	030, 031		030, 031	
		033, 034, 040	003, 055	033, 034, 040	003, 055
ACT8	Entrance Mortise Cylinder European Mortise Entry - Keyed W/ Turnknob	\$600	\$675	\$455	\$510
FDP8	Passage European Mortise Passage - Active No Cylinder Or Turnknob				
FD8	Full Inactive European Mortise Inactive - Non-keyed	500	575	355	410
PAT8	Patio European Mortise Patio - Non-keyed				
Escutcheons ONLY					
KN18	KN, Cut for Knob Inside				
KN1R8	KN, Cut for Knob Inside - Rigid Lever	\$210	240		
KN08	KN, Cut for Knob Outside				
KN0R8	KN, Cut for Knob Outside - Rigid Lever				
KC8	KC, Cut for Cylinder Outside - Pro C1	230	260		
KCT8	KC, Cut for Cylinder Inside - Pro C1				

STEP 3 (CONT)

THICK DOOR KIT — CONFIGURATION #8

EXAMPLE # **MP000 . XXX . ACTD**

Thick Door Kits
Tier 1 & Tier 2

	Included w/standard sets						List Price
ACT1	1 ¾"	2"	2 ¼"	2 ⅝"	2 ½"	2 ¾"	
All others	MP000.xxx.ACTD	MP000.xxx.ACTD	MP000.xxx.ACTE	MP000.xxx.ACTF	MP000.xxx.ACTG	MP000.xxx.ACTG	\$120
Bismark, Kensington, Lakeshore	MP000.xxx.ACTD	MP000.xxx.ACTE	MP000.xxx.ACTE	MP000.xxx.ACTF	MP000.xxx.ACTG	MP000.xxx.ACTI	\$120
PAT1	1 ¾"	2"	2 ¼"	2 ⅝"	2 ½"	2 ¾"	
All others	MP000.xxx.PATJ	MP000.xxx.PATJ	MP000.xxx.PATK	MP000.xxx.PATL	MP000.xxx.PATM	MP000.xxx.PATM	\$120
Bismark, Kensington, Lakeshore	MP000.xxx.PATJ	MP000.xxx.PATK	MP000.xxx.PATK	MP000.xxx.PATL	MP000.xxx.PATM	MP000.xxx.PATO	\$120
FD Sets	1 ¾" to 2 ¼"			2 ⅝" to 2 ¾"			
	MP000.000.FDPTP	—	—	MP000.000.FDPTQ	—	—	\$25
FDP Sets	1 ¾" to 2 ¼"			2 ⅝" to 2 ¾"			
	MP000.000.FDPTP	—	—	MP000.000.FDPTQ	—	—	\$25

- > Baldwin European Mortise trims assume 1.75" door thickness.
- > For thicker doors, please order a Thick Door kit according to the chart below.
Specify cylinder finish where noted.
- > Available cylinder finishes include ONLY 264 (Satin Chrome), 040 (Satin Brass) and 112 (Venetian Bronze).
- > See finish chart on page 156 for cylinder finish recommendations.

ACT kits include: 8mm to 7.3mm Conversion Spindle, Keyed Cylinder, and Cylinder Installation Hardware
 PAT kits include: 8mm to 7.3mm Conversion Spindle, Patio Cylinder, and Cylinder Installation Hardware
 FDPTP kits include: 8mm to 7.3mm Conversion Spindle