

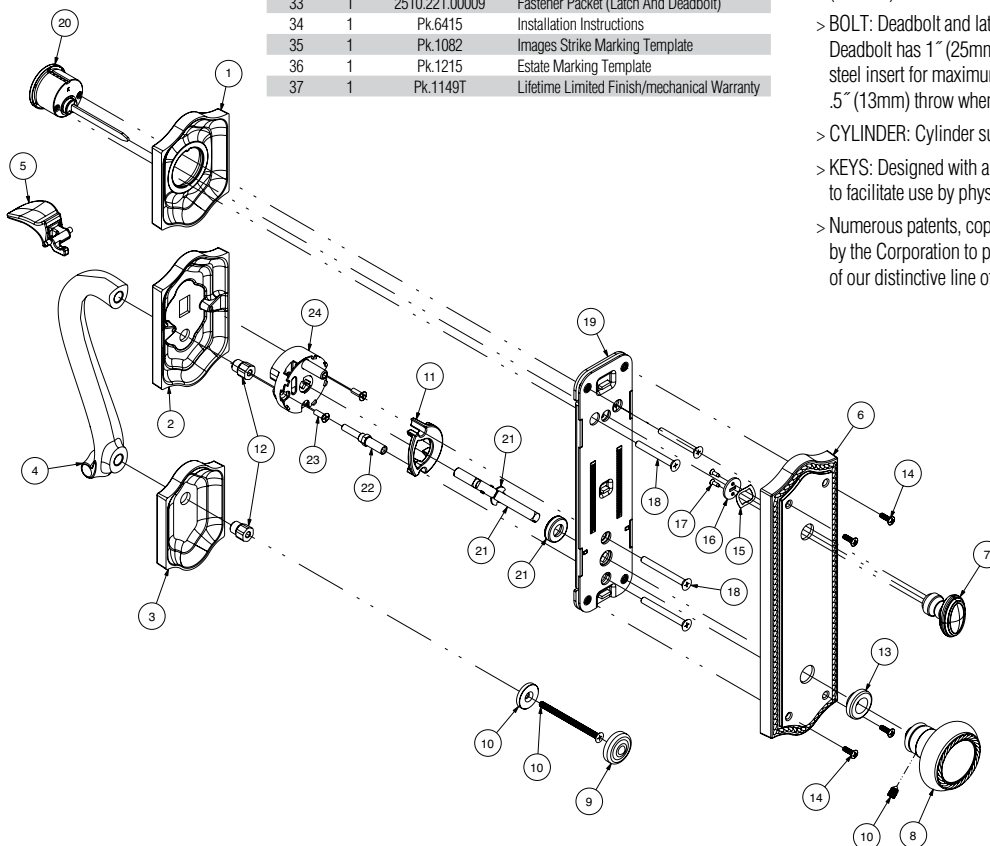
**Specifications & Standards of Excellence**

Estate lock sets are featured in traditional styles in our most popular finishes. Interior latch set designs coordinate beautifully with lockset styles to enable customers to carry a specific design theme throughout the home. Each Estate lockset is packed as a complete set, and is also available by component.

Item	Qty	Part No.	Part Name
1	1	6420.xxx.00052	Cylinder Collar
2	1	6420.xxx.00012	Large Plate
3	1	6420.xxx.00022	Small Plate
4	1	2598.xxx.00013	Door Pull
5	1	5300.xxx.95115	Thumbpiece
6	1	6420.xxx.KT012	Inside Escutcheon
7	1	5350.xxx.00023	Turn Knob
8	1	5064.xxx.00013	Knob-rope
9	1	0129.xxx.00013	Screw Cover
10	1	5300.000.05205	Fastener Packet (Pull/knob)
11	1	5300.228.97085	Alignment Bracket
12	2	1704.039.00115	Threaded Adaptor
13	1	6747.xxx.00013	Thimble
14	1	1005.xxx.05105	Fastener Packet (Inside Plate)
15	1	5196.109.00005	Wave Washer
16	1	8053.509.00015	Plate-tailpiece
17	2	1117.509.00009	#3-48 X .313" Lg., Fh, Ph, M/s
18	1	5300.000.93505	Fastener Packet (Egress Cartridge)
19	1	5300.000.95505	Rectangular Egress Cartridge Assembly
20	1	8031.xxx.05255	Cylinder Assembly
21	1	5300.000.93205	Spindle/spacer Packet
22	1	5300.028.99055	Mounting Post
23	2	10009.329.00009	#6-32 X .44" Lg., Fh, Ph, M/s
24	1	5300.000.95995	Thumb Cartridge Assembly

**Not Shown On Drawing**

25	1	5300.xxx.95105	Latch Assembly With Faceplate
26	1	8000.xxx.STR15	Strike
27	2	8000.1849.STR35	Dust Box
28	1	8053.xxx.00032	Cylinder Cap
29	1	8208.xxx.DBC15	Deadbolt Assembly (Egress)
30	1	8510.xxx.01135	T-strike
31	1	1013.221.05275	Fastener Packet (Strike)
32	1	1421.028.05105	Fastener Packet (Strike)
33	1	2510.221.00009	Fastener Packet (Latch And Deadbolt)
34	1	Pk.6415	Installation Instructions
35	1	Pk.1082	Images Strike Marking Template
36	1	Pk.1215	Estate Strike Marking Template
37	1	Pk.1149T	Lifetime Limited Finish/mechanical Warranty



**Mechanical Features - Escutcheon Trim Lock sets**

- > **SOLID FORGED BRASS:** Entrance handle, escutcheon, knob, rose and turn piece are manufactured of solid forged brass for maximum Strength and durability.
- > **INSTALLATION:** Lock sets are designed for easy installation in standard pre-bored wood or metal doors. The adaptor aligns the latch with the trim. Graphic instructions make installation FAST!
- > **FULLY REVERSIBLE:** Accommodates all door conditions and facilitates installation.
- > **DOOR THICKNESS:** Lock sets accommodate a door thickness of 1.75" (44mm). Conversion kit available for 2.0" (51mm) and 2.25" (57mm) thick doors (see price list for details).
- > **CASE:** Deadbolt and latch case are formed of steel for Strength. Most interior working parts are made of solid brass or zinc chromate plated steel for maximum Strength and smooth operation.
- > **BACKSET:** Adjustable backset 2.375" (60mm), 2.75" (70mm) latch and deadbolt supplied standard.
- > **FACE PLATE:** Deadbolt and latch supplied with a 1" (25mm) face plate.
- > **STRIKE:** Deadbolt is furnished with a specially designed reinforcing strike constructed of high grade steel for ultimate Strength and durability. The strike is installed with two (2) 3" (76mm) security jamb screws and a dust box. The security strike is covered with an armored front to conceal the fasteners. Latches are supplied standard with a box strike (other strikes are available at an additional charge).
- > **DISTANCE BETWEEN CENTER OF LATCH AND DEADBOLT (CTC):** Lockset accommodates 5.5" (140mm) center to center dimension ONLY.
- > **BOLT:** Deadbolt and latch bolt constructed of solid brass. Deadbolt has 1" (25mm) throw when extended and a hardened steel insert for maximum protection and security. Latch bolt has a .5" (13mm) throw when extended to fully engage the door jamb.
- > **CYLINDER:** Cylinder supplied with 5-pin keying.
- > **KEYS:** Designed with a 1.25" (32mm) wide bow surface to facilitate use by physically challenged people.
- > Numerous patents, copyrights, and trademarks are held by the Corporation to protect the integrity and reputation of our distinctive line of hardware appointments.

# ENTRANCE SETS TUBULAR

## Specifications and Standards

### ALL ENTRANCE LOCK SETS:

**SOLID FORGED BRASS:** Entrance handle, cylinder collar, knob, rose and turn piece are manufactured of solid forged brass for maximum strength and durability.

**INSTALLATION:** Images lock sets are designed for easy installation in standard pre-bored wood or metal doors. The adaptor aligns the latch with the trim. Graphic instructions make installation FAST!

**DOOR THICKNESS:** Lock sets accommodate a door thickness of 1-3/4" (44mm). Conversion kit available for 2" (51mm) and 2-1/4" (57mm) thick doors at an additional charge.

**CASE:** Deadbolt and latch case are formed of steel for strength. Most interior working parts are made of solid brass or steel for maximum strength and smooth operation.

**BACKSET:** Adjustable backset 2-3/8" (60mm) or 2-3/4" (70mm) latch and deadbolt supplied standard.

**FACE PLATE:** Deadbolt and latch supplied with a 1" (25mm) face plate.

**STRIKE:** Deadbolt is furnished with a specially designed reinforcing strike constructed of high grade steel for ultimate strength and durability. The strike is installed with two (2) 3" (76mm) security jamb screws and a dust box. The security strike is covered with an armored front to conceal the fasteners. The 3" screws securing the inside face of the double cylinder deadbolt resist tampering and guard against theft. Latches are supplied standard with a full lip strike (other strikes are available at an additional charge.)

**BOLT:** Deadbolt and latch bolt are constructed of solid brass. Deadbolt has 1" (25mm) throw when extended and a hardened steel insert for maximum protection and security. Latch bolt has a .5" (13mm) throw when extended to fully engage the door jamb.

**KEYS:** Designed with a 1-1/4" (32mm) wide bow surface.

**PACKAGING:** All products are packaged in contractor packaging unless noted.

### SECTIONAL TRIM LOCK SETS:

**FULLY REVERSIBLE:** Accommodates most door conditions and facilitates installation.

**DOOR THICKNESS:** Lock sets accommodate a door thickness of 1-3/4" (44mm). Conversion kit available for 2" (51mm) and 2-1/4" (57mm) thick doors at an additional charge.

**DISTANCE BETWEEN CENTER OF LATCH AND DEADBOLT (CTC):** Lockset accommodates any center-to-center dimension greater than 4-3/8" (111mm).

**CYLINDER:** Cylinder supplied with 5-pin keying. Cylinder is protected with a free-turning cylinder guard to resist gripping or twisting.

**DOOR PREP:** Designed to fit 2-1/8" face bore with no additional hardware.

### ESCUTCHEON TRIM LOCK SETS:

**FULLY REVERSIBLE:** Accommodates most door conditions and facilitates installation.

**DOOR THICKNESS:** Lock sets accommodate a door thickness of 1-3/4" (44mm). Conversion kit available for 2" (51mm) and 2-1/4" (57mm) thick doors at an additional charge (see price list for details).

**DISTANCE BETWEEN CENTER OF LATCH AND DEADBOLT(CTC):** Lockset accommodates a 5 1/2" (140mm) center-to-center dimension ONLY.

**CYLINDER:** Cylinder supplied with 5-pin keying.

### EMERGENCY EGRESS TUBULAR ENTRANCE LOCK SETS:

**EMERGENCY EGRESS:** Handleset which retracts the latchbolt and deadbolt simultaneously when the inside knob/lever is turned. Door will remain unlocked unless locked with a key.

**CARTRIDGE:** Case and interior working parts are formed of heavy gauge steel, zinc chromate plated and lubricated for maximum strength and smooth operation.

**FULLY REVERSIBLE:** Accommodates most door conditions and facilitates installation.

**DOOR THICKNESS:** Lock sets accommodate a door thickness of 1-3/4" (44mm). Conversion kit available for 2" (51mm) and 2-1/4" (57mm) thick doors at an additional charge.

**DISTANCE BETWEEN CENTER OF LATCH AND DEADBOLT (CTC):** Lockset accommodates 5 1/2" center-to-center dimension ONLY.

**CYLINDER:** Cylinder supplied with 5-pin keying.

**IMPORTANT:** Emergency egress entrance lock sets are designed for use with all Images knobs or levers.

### TWO-POINT LOCK SETS:

**DOOR THICKNESS:** Lock sets accommodate a door thickness of 1-3/4"(44mm) to 2" (51mm). Cannot be installed on doors thicker than 2"(51mm).

**DISTANCE BETWEEN CENTER OF LATCH AND DEADBOLT (CTC):** Lockset accommodates any center-to-center dimension greater than 4-3/4" (121mm).

**CYLINDER:** Cylinder supplied with 5-pin keying. Cylinder is protected with a free-turning cylinder guard to resist gripping or twisting.

**DOOR PREP:** Designed to fit 2-1/8" face bore with a 3-hole prep.

**NOTE:** When installing a two-point handleset on a door prepped for a standard single point handleset with a 5 1/2" CTC boring, the location of the thumb piece will be approximately 2 1/2" lower.

Numerous patents, copyrights, and trademarks are held by the Corporation to protect the integrity and reputation of our distinctive line of hardware appointments.

## Functions Available

### ENTRANCE



**FROM EXTERIOR:**  
Thumb piece operates handleset latch;  
key operates deadbolt.

**FROM INTERIOR:**  
Knob operates latch;  
key operates deadbolt.

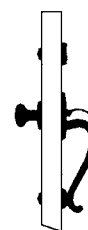
### DOUBLE CYLINDER



**FROM EXTERIOR:**  
Thumb piece operates handleset latch;  
key operates deadbolt.

**FROM INTERIOR:**  
Knob operates latch;  
key operates deadbolt.

### FULL DUMMY



Trim for non-working side of double doors. Matching dummy trim (non-functioning) handleset and interior trim.

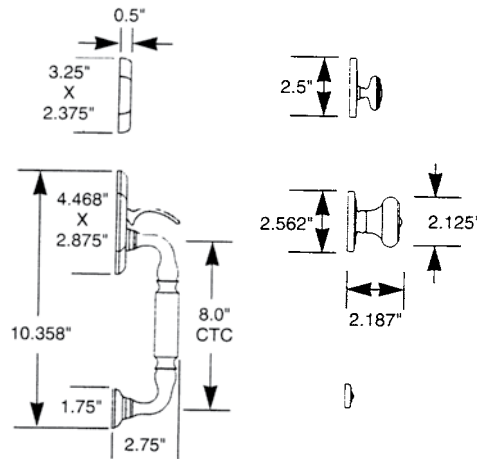
# BALDWIN

**Canterbury Sectional Trim**

w/ 5020 Colonial knob or 5455V Wave lever

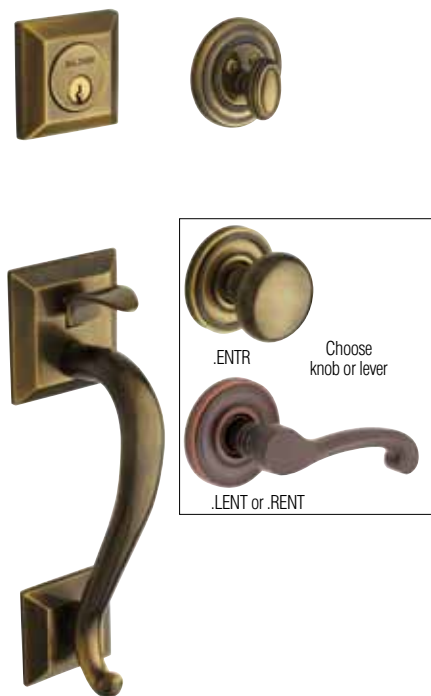


Item #	Description	Wt.	031, 050, 102	003, 055
			112, 150, 151	056, 402
			190, 260, 264	412, 452
85305.xxx.ENTR	Single cylinder handleset with interior knob	5.8	\$425	\$500
85305.xxx.DBLC	Double cylinder handleset with interior knob	6.1	455	530
85305.xxx.FD	Full dummy set with interior knob	4.6	365	440
85305.xxx.RENT	Single cylinder handleset with lever – RH Entry	6.8	425	500
85305.xxx.LENT	Single cylinder handleset with lever – LH Entry	6.8	425	500
85305.xxx.RDBL	Double cylinder handleset with lever – RH Entry	7.1	455	530
85305.xxx.LDBL	Double cylinder handleset with lever – LH Entry	7.1	455	530
85305.xxx.RFD	Full dummy set with lever – RH Dummy	5.6	365	440
85305.xxx.LFD	Full dummy set with lever – LH Dummy	5.6	365	440

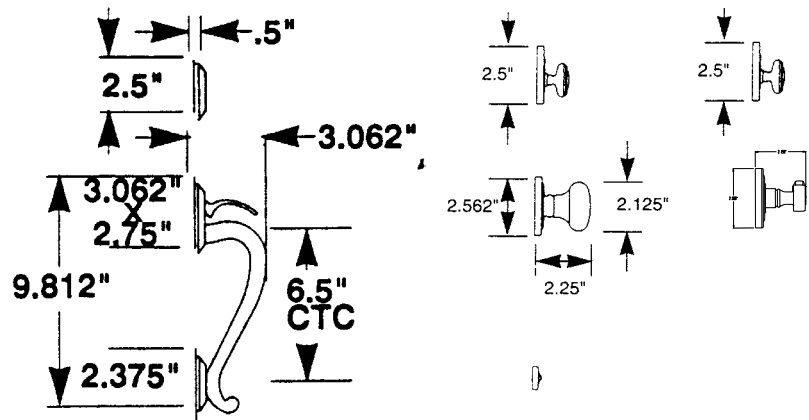


**Madison® Sectional Trim**

w/ 5015 Classic knob or 5445V Classic lever



Item #	Description	Wt.	031, 050, 102	003, 055
			112, 150, 151	056, 402
			190, 260, 264	412, 452
85320.xxx.ENTR	Single cylinder handleset with interior knob	5.6	\$425	\$500
85320.xxx.DBLC	Double cylinder handleset with interior knob	5.9	455	530
85320.xxx.FD	Full dummy set with interior knob	4.2	365	440
85320.xxx.RENT	Single cylinder handleset with lever – RH Entry	6.6	425	500
85320.xxx.LENT	Single cylinder handleset with lever – LH Entry	6.6	425	500
85320.xxx.RDBL	Double cylinder handleset with lever – RH Entry	6.9	455	530
85320.xxx.LDBL	Double cylinder handleset with lever – LH Entry	6.9	455	530
85320.xxx.RFD	Full dummy set with lever – RH Dummy	5.2	365	440
85320.xxx.LFD	Full dummy set with lever – LH Dummy	5.2	365	440



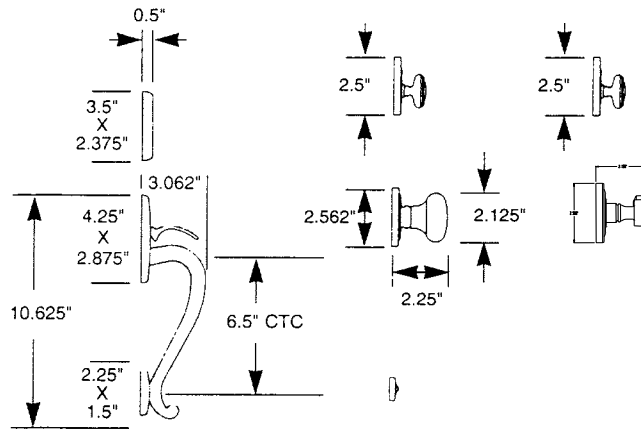
# ENTRANCE SETS, TUBULAR SECTIONAL

## Logan Sectional Trim

w/ 5015 Classic knob or 5455V Wave lever



Item #	Description	Wt.	031, 050, 102	003, 055
			112, 150, 151	056, 402
			190, 260, 264	412, 452
85315.xxx.ENTR	Single cylinder handleset with interior knob	5.7	\$425	\$500
85315.xxx.DBLC	Double cylinder handleset with interior knob	5.8	455	530
85315.xxx.FD	Full dummy set with interior knob	4.3	365	440
85315.xxx.RENT	Single cylinder handleset with lever - RH Entry	6.7	425	500
85315.xxx.LENT	Single cylinder handleset with lever - LH Entry	6.7	425	500
85315.xxx.RDBL	Double cylinder handleset with lever - RH Entry	6.8	455	530
85315.xxx.LDBL	Double cylinder handleset with lever - LH Entry	6.8	455	530
85315.xxx.RFD	Full dummy set with lever - RH Dummy	5.3	365	440
85315.xxx.LFD	Full dummy set with lever - LH Dummy	5.3	365	440

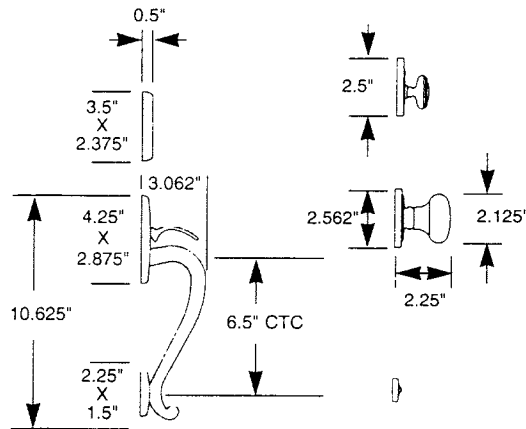


## Logan Sectional Trim

w/ 5025 Egg knob



Item #	Description	Wt.	031, 050, 102	003, 055
			112, 150, 151	056, 402
			190, 260, 264	412, 452
85335.xxx.ENTR	Single cylinder handleset with interior knob	5.7	\$425	\$500
85335.xxx.DBLC	Double cylinder handleset with interior knob	5.8	455	530
85335.xxx.FD	Full dummy set with interior knob	4.3	365	440

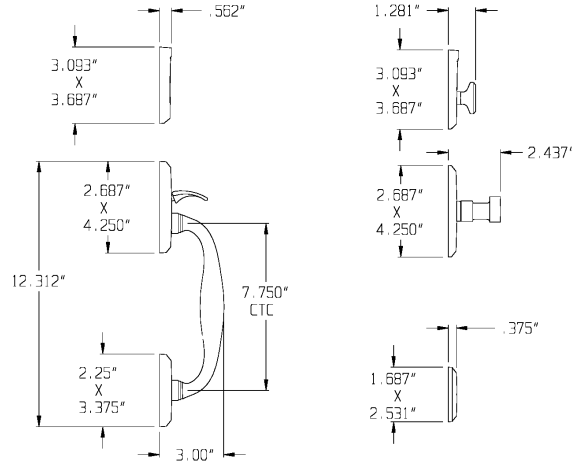


**Tahoe Sectional Trim**

w/ 5023 Tahoe knob or 5465V Tahoe lever



Item #	Description	Wt.	031, 050, 102	003, 055
			112, 150, 151	056, 402
			190, 260, 264	412, 452
85325.xxx.ENTR	Single cylinder handleset with interior knob	5.8	\$425	\$500
85325.xxx.DBLC	Double cylinder handleset with interior knob	6.1	455	530
85325.xxx.FD	Full dummy set with interior knob	4.6	365	440
85325.xxx.RENT	Single cylinder handleset with lever – RH Entry	6.8	425	500
85325.xxx.LENT	Single cylinder handleset with lever – LH Entry	6.8	425	500
85325.xxx.RDBL	Double cylinder handleset with lever RH Entry	6.1	455	530
85325.xxx.LDBL	Double cylinder handleset with lever LH Entry	6.1	455	530
85325.xxx.RFD	Full dummy set with lever – RH Dummy	5.6	365	440
85325.xxx.LFD	Full dummy set with lever – LH Dummy	5.6	365	440

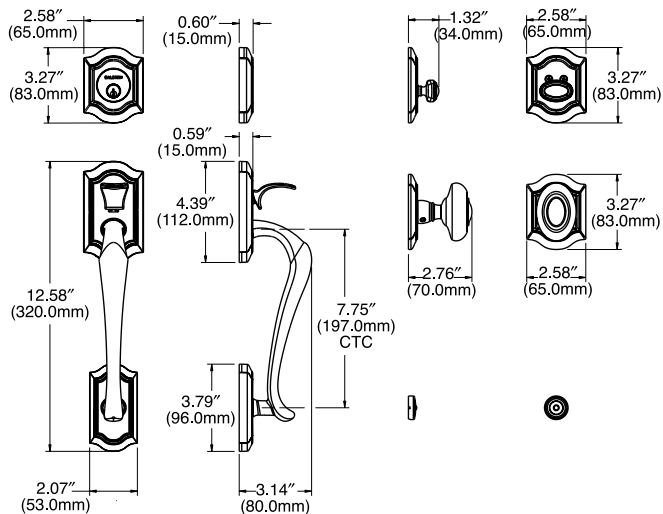


**Bethpage Sectional Trim**

w/ 5077 Bethpage knob or 5447V Bethpage lever



Item #	Description	Wt.	031, 050, 102	003, 055
			112, 150, 151	056, 402
			190, 260, 264	412, 452
85327.xxx.ENTR	Single cylinder handleset with interior knob	5.8	\$425	\$500
85327.xxx.DBLC	Double cylinder handleset with interior knob	6.1	455	530
85327.xxx.FD	Full dummy set with interior knob	4.6	365	440
85327.xxx.RENT	Single cylinder handleset with lever – RH Entry	6.8	425	500
85327.xxx.LENT	Single cylinder handleset with lever – LH Entry	6.8	425	500
85327.xxx.RDBL	Double cylinder handleset with lever – RH Entry	7.1	455	530
85327.xxx.LDBL	Double cylinder handleset with lever – LH Entry	7.1	455	530
85327.xxx.RFD	Full dummy set with lever – RH Dummy	5.6	365	440
85327.xxx.LFD	Full dummy set with lever – LH Dummy	5.6	365	440



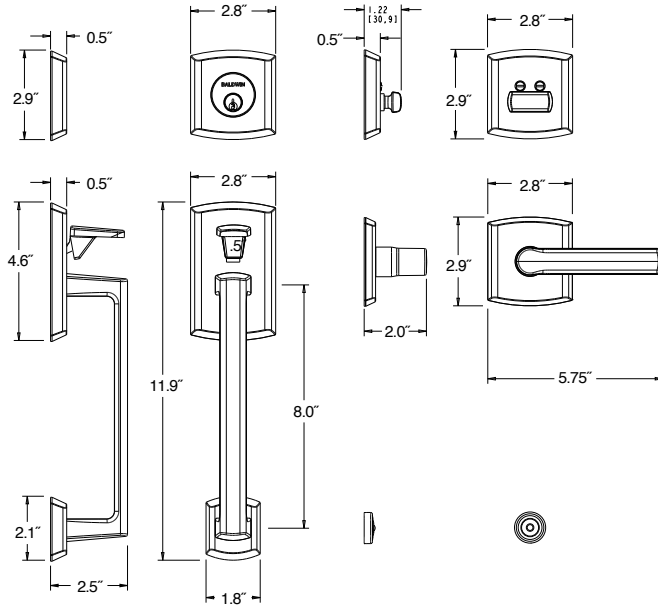
# ENTRANCE SETS, TUBULAR SECTIONAL

## Soho Sectional Trim

w/ 5485V lever



.RENT or .LENT



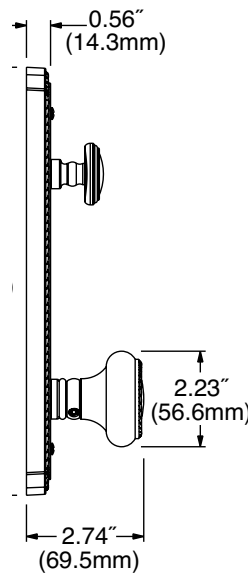
Item #	Description	Wt.	031, 050, 102	003, 055
			112, 150, 151	056, 402
			190, 260, 264	412, 452
85386.xxx.RENT	Single cylinder handleset w/ Lever – RH Entry	6.8	\$425	\$500
85386.xxx.LENT	Single cylinder handleset w/ Lever – LH Entry			
85386.xxx.RDBL	Double cylinder handleset w/ Lever – RH Entry	7.1	455	530
85386.xxx.LDBL	Double cylinder handleset w/ Lever – LH Entry			
85386.xxx.RFD	Full dummy set w/ Lever – RH Dummy	5.6	365	440
85386.xxx.LFD	Full dummy set w/ Lever – LH Dummy			

## Bristol Sectional Egress Handleset

w/ 5064 knob



.ENTR

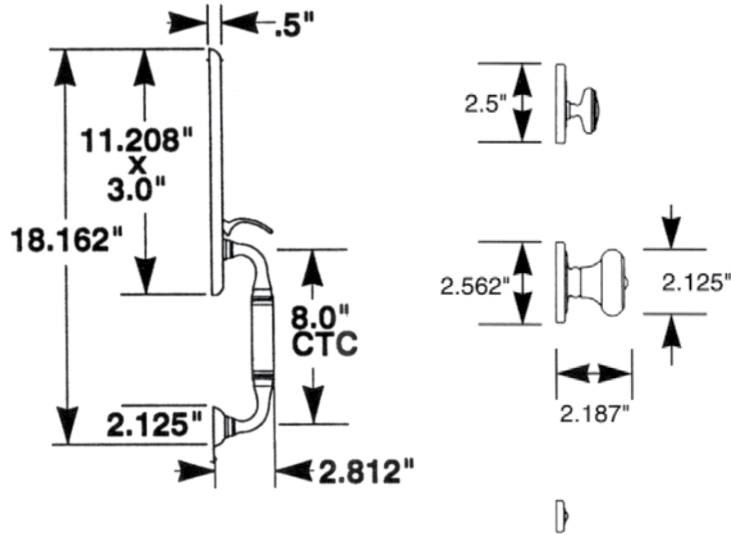


Item #	Description	Wt.	031, 050, 102	003, 055
			112, 150, 151	056, 402
			190, 260, 264	412, 452
6420.xxx.ENTR	Single cylinder handleset with interior knob	8.7	\$575	\$650
6420.xxx.FD	Full dummy set with interior knob	6.7	515	590

Adjustable backset latch and deadbolt – 2.375" & 2.75"

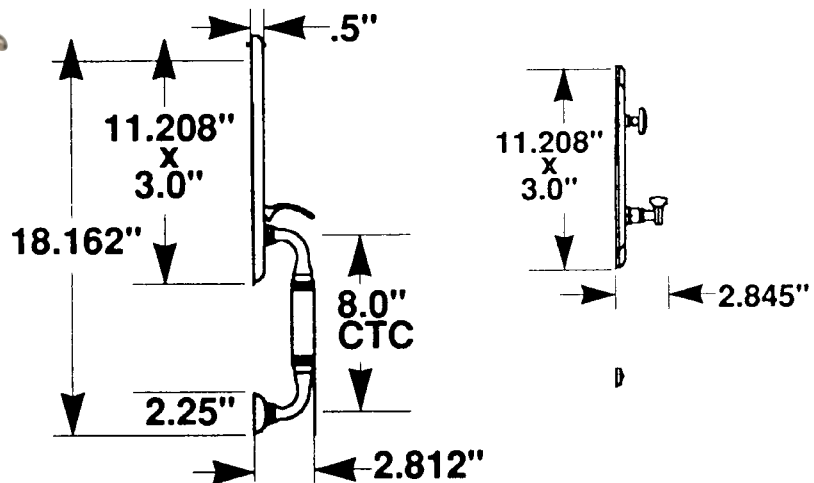
**Nantucket Escutcheon Trim**  
 w/ 5020 Colonial knob

Item #	Description	Wt.	031, 050, 102	003, 055
			112, 150, 151	056, 402
			190, 260, 264	412, 452
85370.xxx.ENTR	Single cylinder handleset with interior knob	6.8	\$475	\$550
85370.xxx.DBLC	Double cylinder handleset with interior knob	7.0	505	580
85370.xxx.FD	Full dummy set with interior knob	5.1	415	490



**Manchester Emergency Egress Handleset**  
 w/ 5455V Wave lever

Item #	Description	Wt.	031, 050, 102	003, 055
			112, 150, 151	056, 402
			190, 260, 264	412, 452
85350.xxx.ENTR	Single cylinder handleset – less lever, emergency egress-active	5.7	\$475	\$550
85350.xxx.FD	Full dummy set less lever - inactive	4.3	415	490
85350.xxx.RENT	Single cylinder handleset w/ lever, emergency egress – RH Entry	8.3	525	600
85350.xxx.LENT	Single cylinder handleset w/ lever, emergency egress – LH Entry	8.3	525	600
85350.xxx.RFD	Full dummy set with lever – RH Dummy	6.2	465	540
85350.xxx.LFD	Full dummy set with lever – LH Dummy	6.2	465	540



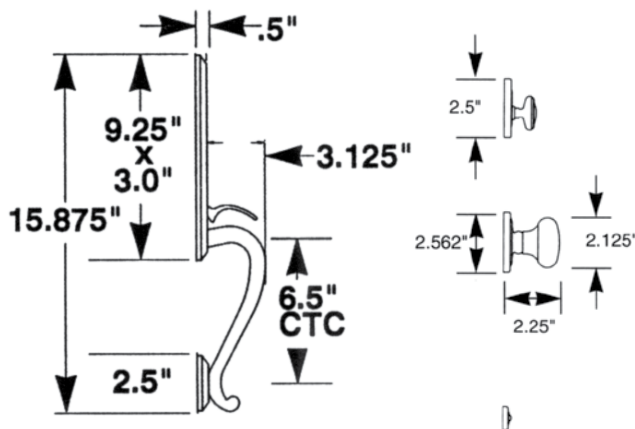
# ENTRANCE SETS, TUBULAR 3/4 ESCUTCHEON

## Glennon Escutcheon Trim

w/ 5015 Classic knob



Item #	Description	Wt.	031, 050, 102	003, 055
			112, 150, 151	056, 402
			190, 260, 264	412, 452
85375.xxx.ENTR	Single cylinder handleset with interior knob	6.4	\$475	\$550
85375.xxx.DBLC	Double cylinder handleset with interior knob	6.6	505	580
85375.xxx.FD	Full dummy set with interior knob	4.7	415	490

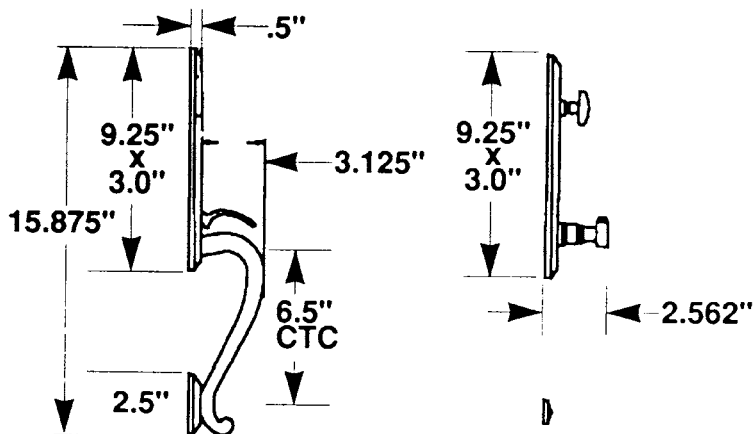


## Stonegate Emergency Egress Handleset

w/ 5445V Classic lever



Item #	Description	Wt.	031, 050, 102	003, 055
			112, 150, 151	056, 402
			190, 260, 264	412, 452
85355.xxx.ENTR	Single cylinder handleset – less lever, emergency egress – active	5.7	\$475	\$550
85355.xxx.FD	Full dummy set less lever - inactive	4.3	415	490
85355.xxx.RENT	Single cylinder handleset w/ lever, emergency egress – RH Entry	8.1	525	600
85355.xxx.LENT	Single cylinder handleset w/ lever, emergency egress – LH Entry	8.1	525	600
85355.xxx.RFD	Full dummy set with lever – RH Dummy	5.9	465	540
85355.xxx.LFD	Full dummy set with lever – LH Dummy	5.9	465	540

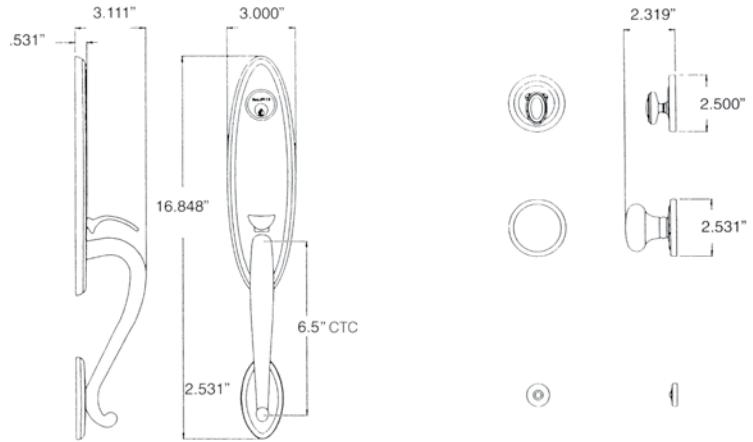




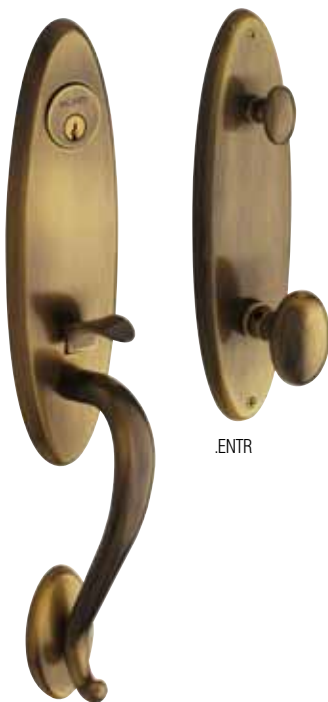
**Buckingham Escutcheon Trim**  
 w/ 5015 Classic knob



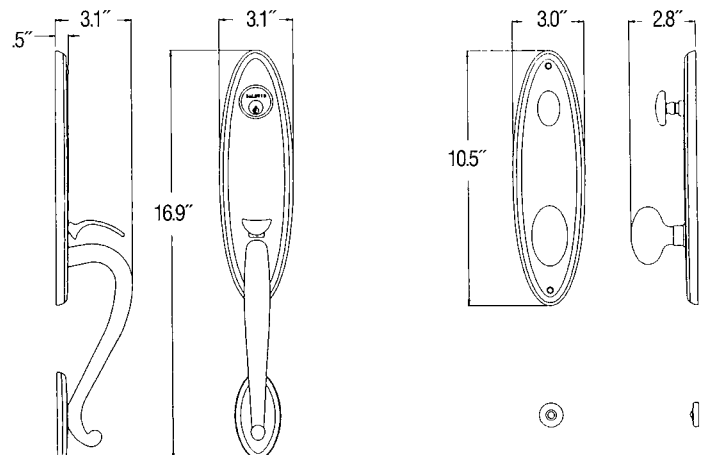
Item #	Description	Wt.	031, 050, 102	003, 055
			112, 150, 151	056, 402
			190, 260, 264	412, 452
85380.xxx.ENTR	Single cylinder handleset with interior knob	6.8	\$475	\$550
85380.xxx.DBLC	Double cylinder handleset with interior knob	7.0	505	450
85380.xxx.FD	Full dummy set with interior knob	5.1	415	490



**Blakely Emergency Egress Handleset**  
 w/ 5025 Egg knob



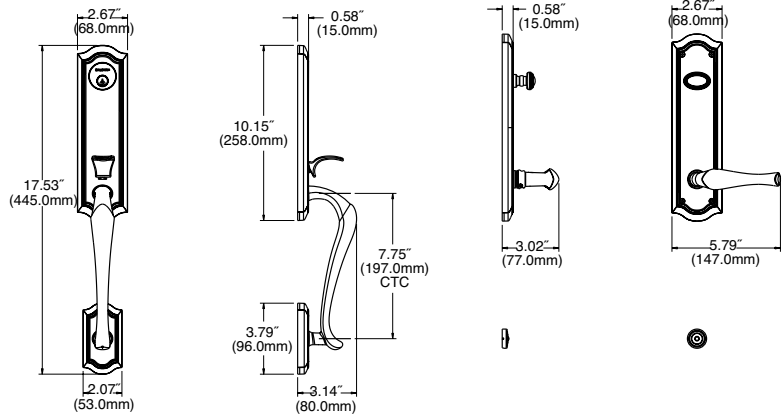
Item #	Description	Wt.	031, 050, 102	003, 055
			112, 150, 151	056, 402
			190, 260, 264	412, 452
85360.xxx.ENTR	Single cylinder handleset with interior knob	6.8	\$525	\$600
85360.xxx.FD	Full dummy set with interior knob	5.1	465	540



# ENTRANCE SETS, TUBULAR 3/4" | FULL ESCUTCHEON

## Bethpage Emergency Egress Handleset

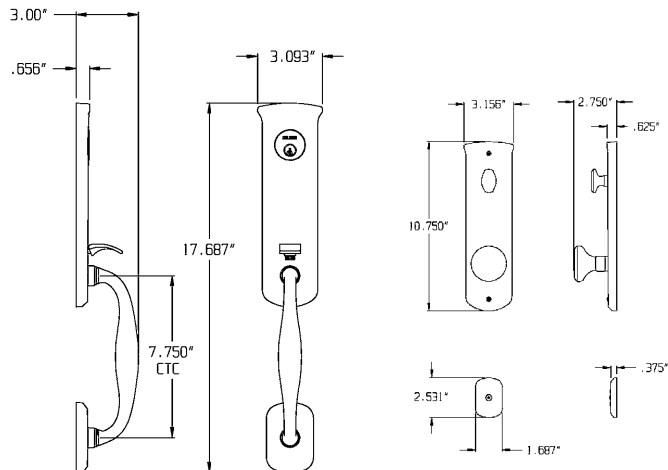
w/ 5077 Bethpage knob or 5447V Bethpage lever



Item #	Description	Wt.	031, 050, 102	003, 055
			112, 150, 151	056, 402
			190, 260, 264	412, 452
85337.xxx.ENTR	Single cylinder handleset with interior knob, emergency egress	6.8	\$625	\$700
85337.xxx.FD	Full dummy set with interior knob	5.4	565	640
85337.xxx.RENT	Single cylinder handleset w/ lever, emergency egress – RH Entry	7.8	625	700
85337.xxx.LENT	Single cylinder handleset w/ lever, emergency egress – LH Entry			
85337.xxx.RFD	Full dummy set with lever – RH Dummy	6.2	565	640
85337.xxx.LFD	Full dummy set with lever – LH Dummy			

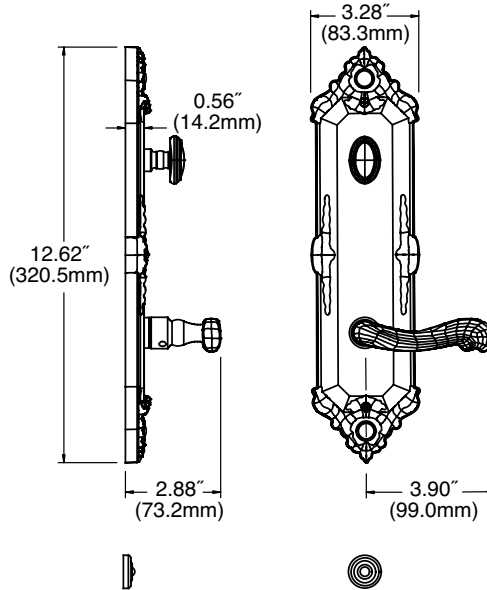
## Tahoe Emergency Egress Handleset

w/ 5023 Tahoe knob or 5465V Tahoe lever



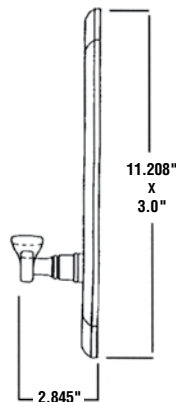
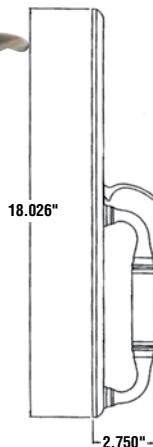
Item #	Description	Wt.	031, 050, 102	003, 055
			112, 150, 151	056, 402
			190, 260, 264	412, 452
85340.xxx.ENTR	Single cylinder handleset with knob, emergency egress	6.7	\$625	\$700
85340.xxx.FD	Full dummy set with interior knob	5.1	565	640
85340.xxx.RENT	Single cylinder handleset w/ lever, emergency egress – RH Entry	7.8	625	700
85340.xxx.LENT	Single cylinder handleset w/ lever, emergency egress – LH Entry			
85340.xxx.RFD	Full dummy set with lever – RH Dummy	6.1	565	640
85340.xxx.LFD	Full dummy set with lever – LH Dummy			

**Kensington Emergency Egress Handleset**  
 w/5108 Lever



Item #	Description	Wt.	031, 050, 102	003, 055
			112, 150, 151	056, 402
6426.xxx.RENT	Single cylinder handleset with RIGHT lever, emergency egress	10.8	\$575	\$650
6426.xxx.LENT	Single cylinder handleset with LEFT lever, emergency egress			
6426.xxx.RFD	Full dummy set with RIGHT lever	8.5	515	590
6426.xxx.LFD	Full dummy set with LEFT lever			

**6401 – Devonshire Emergency Egress Handleset**  
 w/5152 Lever



Item #	Description	Wt.	031, 033	003, 055
			034, 040	056, 402
6401.xxx.RENT	Single cylinder handleset with RIGHT lever, emergency egress	8.3	\$625	\$700
6401.xxx.LENT	Single cylinder handleset with LEFT lever, emergency egress			
6401.xxx.RFD	Full dummy set with RIGHT lever	6.2	565	640
6401.xxx.LFD	Full dummy set with LEFT lever			
6401.xxx.ENTR	Single cylinder handleset emergency egress less lever	8.3	575	650
6401.xxx.FD	Full dummy set less lever			

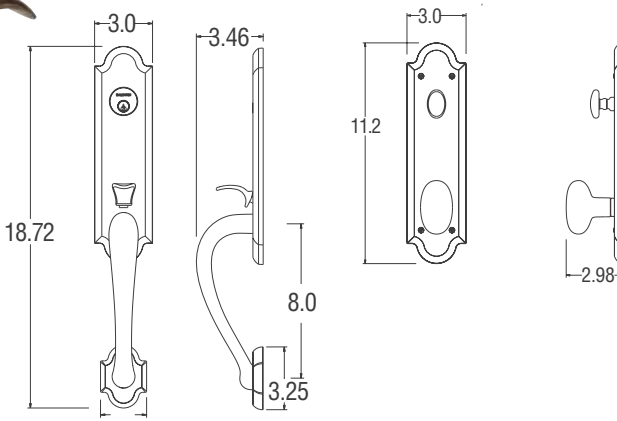
Adjustable backset latch and deadbolt – 2.375" & 2.75"

LEVER: 5152  
 Available as pre-pack set only.  
 Includes emergency egress on active set.  
 Split finish available.

# ENTRANCE SETS, TUBULAR 3/4 | FULL ESCUTCHEON

## Boulder 3/4 Escutcheon Handleset Emergency Egress

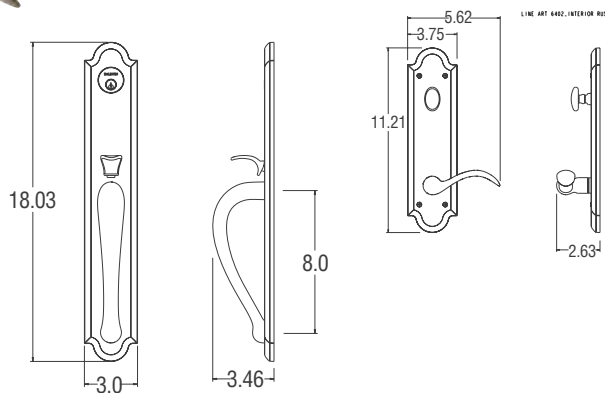
w/ 5024 Oval knob or 5452V Beavertail lever



Item #	Description	Wt.	031, 050, 102	003, 055
			112, 150, 151	056, 402
			190, 260, 264	412, 452
85354.xxx.ENTR	Single cylinder handleset with interior knob, emergency egress	7.3	\$625	\$700
85354.xxx.FD	Full dummy set with interior knob	5.7	565	640
85354.xxx.RENT	Single cylinder handleset w/ lever, emergency egress – RH Entry	7.3	625	700
85354.xxx.LENT	Single cylinder handleset w/ lever, emergency egress – LH Entry	7.3	625	700
85354.xxx.RFD	Full dummy set with lever – RH Dummy	5.7	565	640
85354.xxx.LFD	Full dummy set with lever – LH Dummy	5.7	565	640

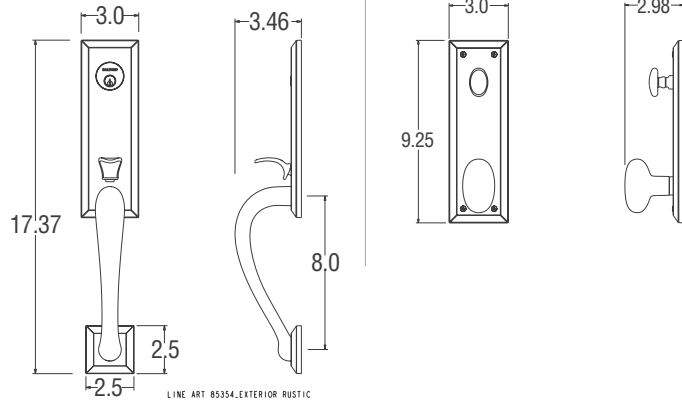
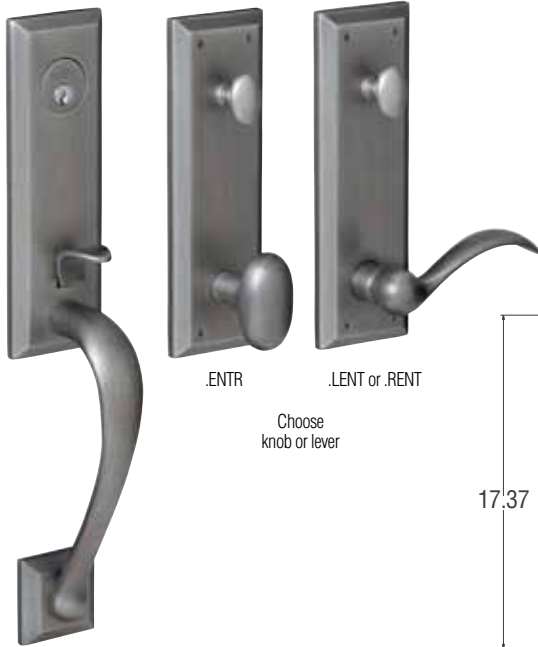
## Boulder Full Escutcheon Handleset Emergency Egress

w/ 5024 Oval knob or 5452V Beavertail lever



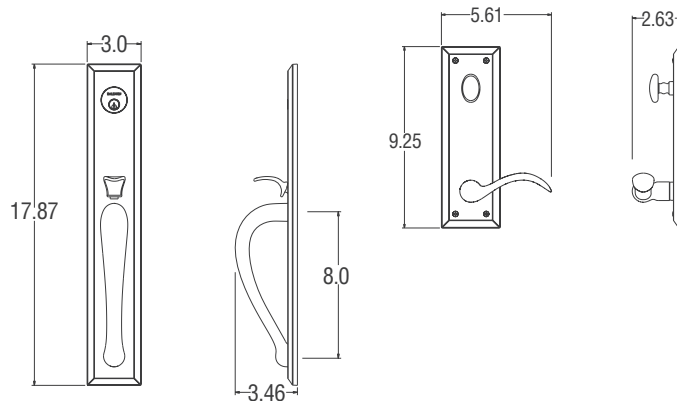
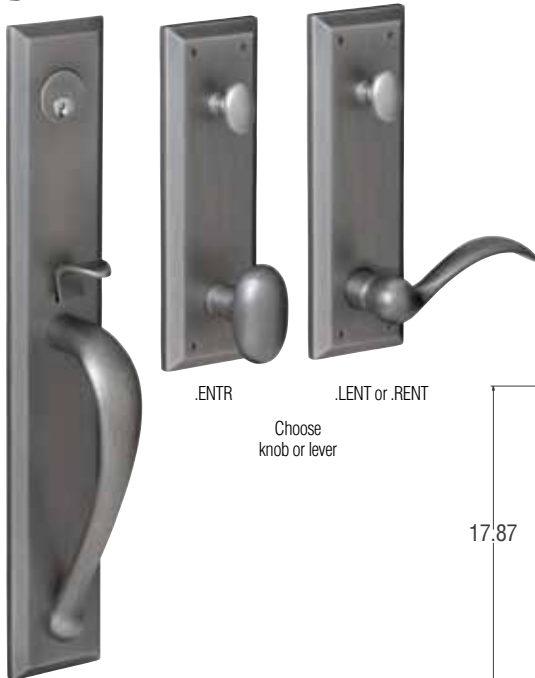
Item #	Description	Wt.	031, 050, 102	003, 055
			112, 150, 151	056, 402
			190, 260, 264	412, 452
6402.xxx.ENTR	Single cylinder handleset with interior knob, emergency egress	9.2	\$625	\$700
6402.xxx.FD	Full dummy set with interior knob	7.2	565	640
6402.xxx.RENT	Single cylinder handleset with lever, emergency egress – RH Entry	9.2	625	700
6402.xxx.LENT	Single cylinder handleset with lever, emergency egress – LH Entry	9.2	625	700
6402.xxx.RFD	Full dummy set with lever – RH Dummy	7.2	565	640
6402.xxx.LFD	Full dummy set with lever – LH Dummy	7.2	565	640

**Cody  $\frac{3}{4}$  Escutcheon Handleset Emergency Egress**  
 w/ 5024 Oval knob or 5452V Beavertail lever



Item #	Description	Wt.	031, 050, 102	003, 055
			112, 150, 151	056, 402
			190, 260, 264	412, 452
85352.xxx.ENTR	Single cylinder handleset with interior knob, emergency egress	7.3	\$625	\$700
85352.xxx.FD	Full dummy set with interior knob	5.7	565	640
85352.xxx.RENT	Single cylinder handleset w/ lever, emergency egress – RH Entry	7.3	625	700
85352.xxx.LENT	Single cylinder handleset w/ lever, emergency egress – LH Entry	7.3	625	700
85352.xxx.RFD	Full dummy set with lever – RH Dummy	5.7	565	640
85352.xxx.LFD	Full dummy set with lever – LH Dummy	5.7	565	640

**Cody Full Escutcheon Handleset Emergency Egress**  
 w/ 5024 Oval knob or 5452V Beavertail lever



Item #	Description	Wt.	031, 050, 102	003, 055
			112, 150, 151	056, 402
			190, 260, 264	412, 452
6403.xxx.ENTR	Single cylinder handleset with interior knob, emergency egress	9.2	\$625	\$700
6403.xxx.FD	Full dummy set with interior knob	7.2	565	640
6403.xxx.RENT	Single cylinder handleset w/ lever, emergency egress – RH Entry	9.2	625	700
6403.xxx.LENT	Single cylinder handleset w/ lever, emergency egress – LH Entry	9.2	625	700
6403.xxx.RFD	Full dummy set with lever – RH Dummy	7.2	565	640
6403.xxx.LFD	Full dummy set with lever – LH Dummy	7.2	565	640

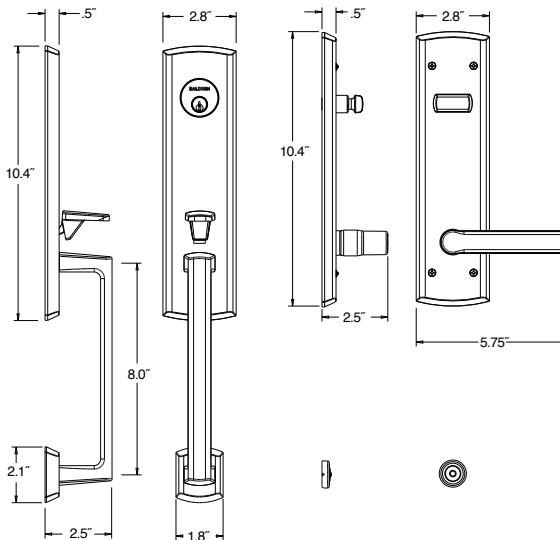
# ENTRANCE SETS, TUBULAR 3/4 ESCUTCHEON | TWO POINT LOCKING

## Soho 3/4 Escutcheon Handleset Emergency Egress

w/ 5485V lever



.RENT or .LENT



Item #	Description	Wt.	031, 050, 102	003, 055
			112, 150, 151	056, 402
85387.xxx.RENT	Single cylinder handlesetw/ Lever – RH Entry , Emergency Egress	7.8	\$625	\$700
85387.xxx.LENT	Single cylinder handlesetw/ Lever – LH Entry , Emergency Egress			
85387.xxx.RFD	Full dummy set w/ Lever – RH Dummy	6.2	565	458
85387.xxx.LFD	Full dummy set w/ Lever – LH Dummy			

## Ashton Two-Point Lock Handleset

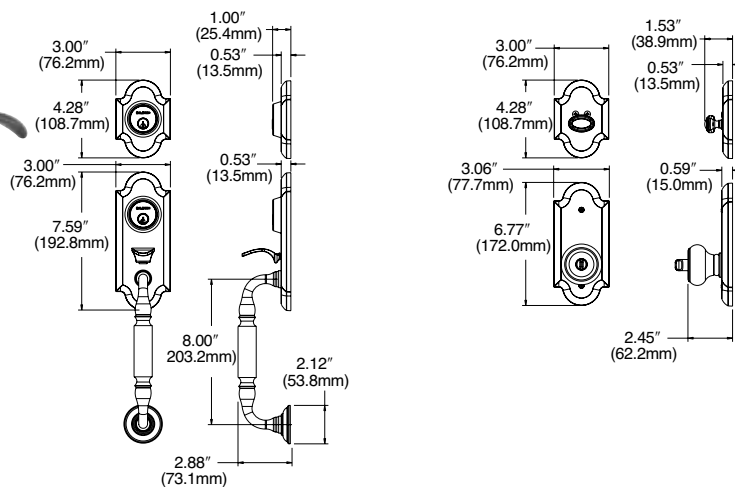
w/ 5210 Colonial knob or 5255 Wave lever



.2ENT

.2LH or 2RH

Choose knob or lever

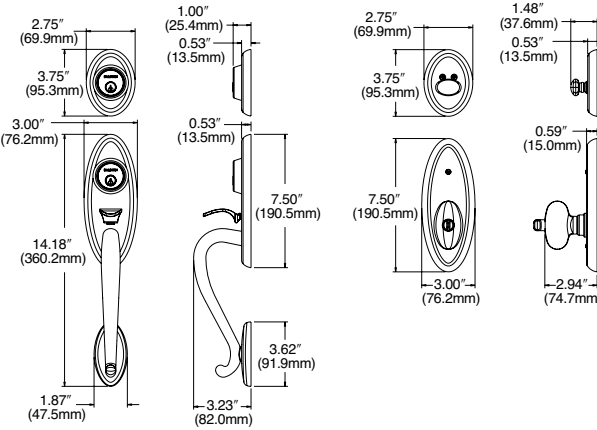


Item #	Description	Wt.	031, 050, 102	003, 055
			112, 150, 151	056, 402
85365.xxx.2ENT	Single cylinder handleset with interior knob	9.2	\$525	\$600
85365.xxx.2DC	Double cylinder handleset with interior knob	8.9	555	630
85365.xxx.2FD	Full dummy set with interior knob	8.6	465	540
85365.xxx.2RH	Single cylinder handleset with lever – RH Entry	8.8	525	600
85365.xxx.2LH	Single cylinder handleset with lever – LH Entry			
85365.xxx.2DCR	Double cylinder handleset with lever – RH Entry	8.5	555	630
85365.xxx.2DCL	Double cylinder handleset with lever – LH Entry			
85365.xxx.2RFD	Full dummy set with lever – RH Dummy	8.1	465	540
85365.xxx.2LFD	Full dummy set with lever – LH Dummy			

# ENTRANCE SETS, TUBULAR TWO POINT LOCKING

## Landon Two-Point Lock Handleset

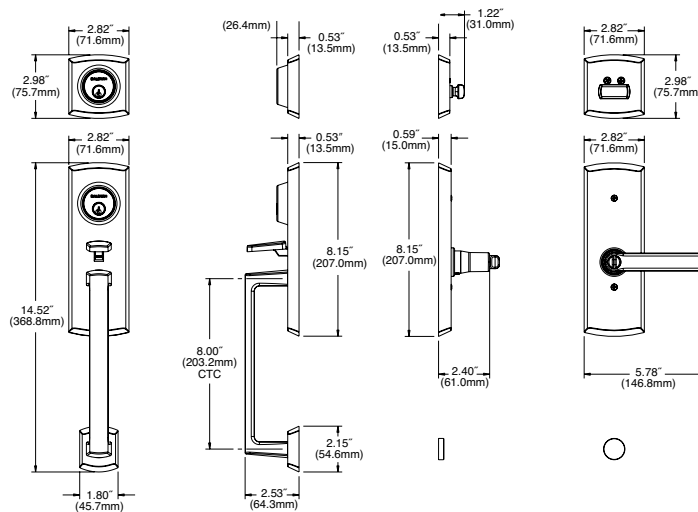
w/ 5225 Egg knob or 5225 Wave lever



Item #	Description	Wt.	031, 050, 102	003, 055
			112, 150, 151	056, 402
			190, 260, 264	412, 452
85345.xxx.2ENT	Single cylinder handleset with interior knob	8.8	\$525	\$600
85345.xxx.2DC	Double cylinder handleset with interior knob	8.6	555	630
85345.xxx.2FD	Full dummy set with interior knob	8.1	465	540
85345.xxx.2RH	Single cylinder handleset with lever – RH Entry	8.3	525	600
85345.xxx.2LH	Single cylinder handleset with lever – LH Entry			
85345.xxx.2DCR	Double cylinder handleset with lever – RH Entry	8.1	555	630
85345.xxx.2DCL	Double cylinder handleset with lever – LH Entry			
85345.xxx.2RFD	Full dummy set with lever – RH Dummy	7.7	465	540
85345.xxx.2LFD	Full dummy set with lever – LH Dummy			

## Soho Two-Point Lock Handleset

w/ Soho lever



Item #	Description	Wt.	031, 050, 102	003, 055
			112, 150, 151	056, 402
			190, 260, 264	412, 452
85385.xxx.2RH	Single cylinder handleset with lever – RH Entry	9.7	\$525	\$600
85385.xxx.2LH	Single cylinder handleset with lever – LH Entry			
85385.xxx.2DCR	Double cylinder handleset with lever – RH Entry	9.4	555	630
85385.xxx.2DCL	Double cylinder handleset with lever – LH Entry			
85385.xxx.2RFD	Full dummy set with lever – RH Dummy	8.9	465	540
85385.xxx.2LFD	Full dummy set with lever – LH Dummy			