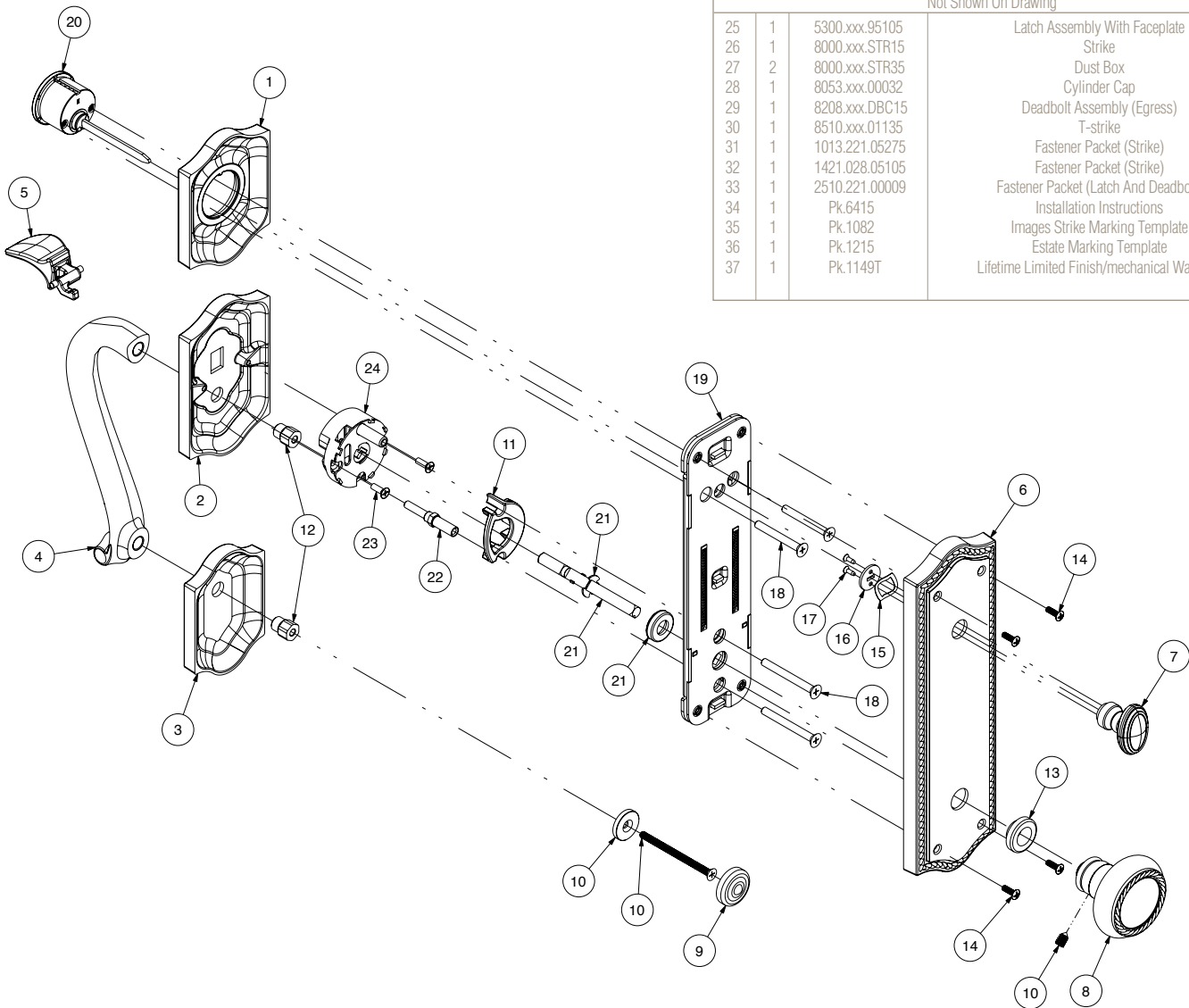


TUBULAR - ENTRANCE SETS

Item	Qty	Part No.	Part Name
1	1	6420.xxx.00052	Cylinder Collar
2	1	6420.xxx.00012	Large Plate
3	1	6420.xxx.00022	Small Plate
4	1	2598.xxx.00013	Door Pull
5	1	5300.xxx.95115	Thumbpiece
6	1	6420.xxx.KT012	Inside Escutcheon
7	1	5350.xxx.00023	Turn Knob
8	1	5064.xxx.00013	Knob-rope
9	1	0129.xxx.00013	Screw Cover
10	1	5300.000.05205	Fastener Packet (Pull/knob)
11	1	5300.228.97085	Alignment Bracket
12	2	1704.039.00115	Threaded Adaptor
13	1	6747.xxx.00013	Thimble
14	1	1005.xxx.05105	Fastener Packet (Inside Plate)
15	1	5196.109.00005	Wave Washer
16	1	8053.509.00015	Plate-tailpiece
17	2	1117.509.00009	#3-48 X .313" Lg., Fh, Ph, M/s
18	1	5300.000.93505	Fastener Packet (Egress Cartridge)
19	1	5300.000.95505	Rectangular Egress Cartridge Assembly
20	1	8031.xxx.05255	Cylinder Assembly
21	1	5300.000.93205	Spindle/spacer Packet
22	1	5300.028.99055	Mounting Post
23	2	10009.329.00009	#6-32 X .44" Lg., Fh, Ph, M/s
24	1	5300.000.95995	Thumb Cartridge Assembly

Not Shown On Drawing

25	1	5300.xxx.95105	Latch Assembly With Faceplate
26	1	8000.xxx.STR15	Strike
27	2	8000.xxx.STR35	Dust Box
28	1	8053.xxx.00032	Cylinder Cap
29	1	8208.xxx.DBC15	Deadbolt Assembly (Egress)
30	1	8510.xxx.01135	T-strike
31	1	1013.221.05275	Fastener Packet (Strike)
32	1	1421.028.05105	Fastener Packet (Strike)
33	1	2510.221.00009	Fastener Packet (Latch And Deadbolt)
34	1	Pk.6415	Installation Instructions
35	1	Pk.1082	Images Strike Marking Template
36	1	Pk.1215	Estate Marking Template
37	1	Pk.1149T	Lifetime Limited Finish/mechanical Warranty



Specifications & Standards of Excellence

Estate lock sets are featured in traditional styles in our most popular finishes. Interior latch set designs coordinate beautifully with lockset styles to enable customers to carry a specific design theme throughout the home. Each Estate lockset is packed as a complete set, and is also available by component.

Mechanical Features—escutcheon Trim Lock sets

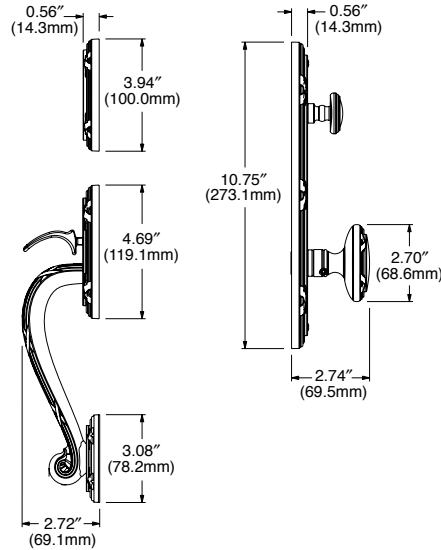
- > **SOLID FORGED BRASS:** Entrance handle, escutcheon, knob, rose and turn piece are manufactured of solid forged brass for maximum Strength and durability.
- > **INSTALLATION:** Lock sets are designed for easy installation in standard pre-bored wood or metal doors. The adaptor aligns the latch with the trim. Graphic instructions make installation FAST!
- > **FULLY REVERSIBLE:** Accommodates all door conditions and facilitates installation.
- > **DOOR THICKNESS:** Lock sets accommodate a door thickness of 1.75" (44mm). Conversion kit available for 2.0" (51mm) and 2.25" (57mm) thick doors (see price list for details).
- > **CASE:** Deadbolt and latch case are formed of steel for Strength. Most interior working parts are made of solid brass or zinc chromate plated steel for maximum Strength and smooth operation.
- > **BACKSET:** Adjustable backset 2.375" (60mm), 2.75" (70mm) latch and deadbolt supplied standard.
- > **FACE PLATE:** Deadbolt and latch supplied with a 1" (25mm) face plate.
- > **STRIKE:** Deadbolt is furnished with a specially designed reinforcing strike constructed of high grade steel for ultimate Strength and durability. The strike is installed with two (2) 3" (76mm) security jamb screws and a dust box. The security strike is covered with an armored front to conceal the fasteners. Latches are supplied standard with a box strike (other strikes are available at an additional charge).
- > **DISTANCE BETWEEN CENTER OF LATCH AND DEADBOLT (CTC):** Lockset accommodates 5.5" (140mm) center to center dimension ONLY.
- > **BOLT:** Deadbolt and latch bolt constructed of solid brass. Deadbolt has 1" (25mm) throw when extended and a hardened steel insert for maximum protection and security. Latch bolt has a .5" (13mm) throw when extended to fully engage the door jamb.
- > **CYLINDER:** Cylinder supplied with 5-pin keying.
- > **KEYS:** Designed with a 1.25" (32mm) wide bow surface to facilitate use by physically challenged people.
- > Numerous patents, copyrights, and trademarks are held by the Corporation to protect the integrity and reputation of our distinctive line of hardware appointments.

TUBULAR – ENTRANCE SETS

6415 – EDINBURGH™ SECTIONAL



CONCEALS
CYLINDRICAL
CUT-OUT



KNOB: 5031
Available as pre-pack set only.
Includes emergency egress on active set.
Split finish available.

030, 031, 033	003, 055
038, 040, 050	056, 402
060, 102, 112	412, 452
150, 151, 190	
260, 264	

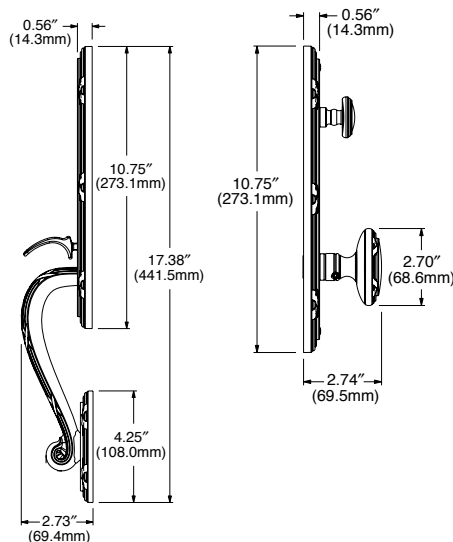
Item #	Description	Wt.		
6415.xxx.ENTR	Single cylinder handleset with interior knob	7.5	\$531	577
6415.xxx.FD	Full dummy set with interior knob	5.7	439	485

Adjustable backset latch and deadbolt – 2.375" & 2.75"

6416 – OVAL EDINBURGH™



CONCEALS
CYLINDRICAL
CUT-OUT



KNOB: 5031
Available as pre-pack set only.
Includes emergency egress on active set.
Split finish available.

030, 031, 033	003, 055
038, 040, 050	056, 402
060, 102, 112	412, 452
150, 151, 190	
260, 264	

Item #	Description	Wt.		
6416.xxx.ENTR	Single cylinder handleset with interior knob	9.0	\$531	577
6416.xxx.FD	Full dummy set with interior knob	7.1	439	485

Adjustable backset latch and deadbolt – 2.375" & 2.75"

TUBULAR – ENTRANCE SETS

6420 – BRISTOL™ SECTIONAL

030, 031, 033
038, 040, 050
060, 102, 112
150, 151, 190
260, 264

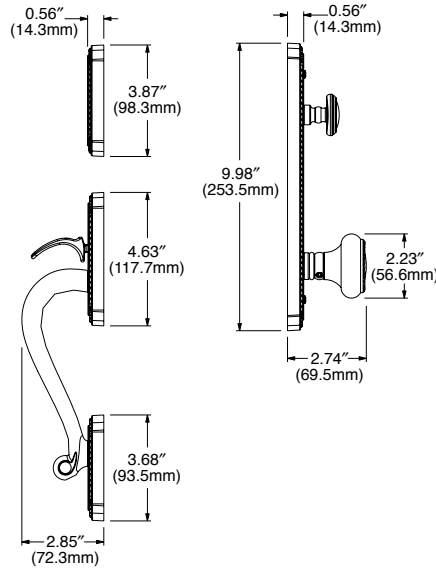
003, 055
056, 402
412, 452

Item #	Description	Wt.		
6420.xxx.ENTR	Single cylinder handleset with interior knob	8.7	\$531	577
6420.xxx.FD	Full dummy set with interior knob	6.7	439	485

Adjustable backset latch and deadbolt – 2.375" & 2.75"



CONCEALS
CYLINDRICAL
CUT-OUT



KNOB: 5064
Available as pre-pack set only.
Includes emergency egress on active set.
Split finish available.

6426 – KENSINGTON® SECTIONAL

030, 031, 033
038, 040, 050
060, 102, 112
150, 151, 190
260, 264

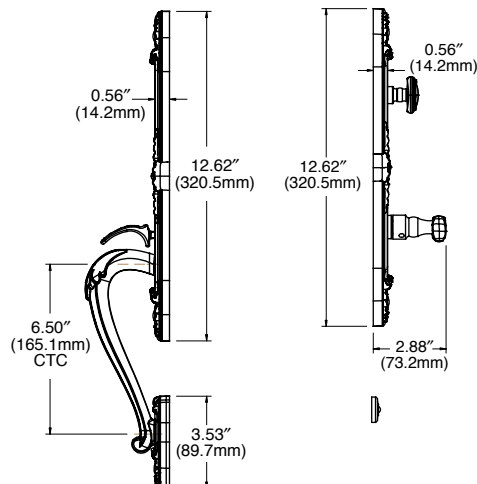
003, 055
056, 402
412, 452

Item #	Description	Wt.		
6426.xxx.RENT	Single cylinder handleset with RIGHT lever, emergency egress	10.8	\$531	577
6426.xxx.LENT	Single cylinder handleset with LEFT lever, emergency egress	10.8	531	577
6426.xxx.RFD	Full dummy set with RIGHT lever	8.5	439	485
6426.xxx.LFD	Full dummy set with LEFT lever	8.5	439	485

Adjustable backset latch and deadbolt – 2.375" & 2.75"



CONCEALS
CYLINDRICAL
CUT-OUT



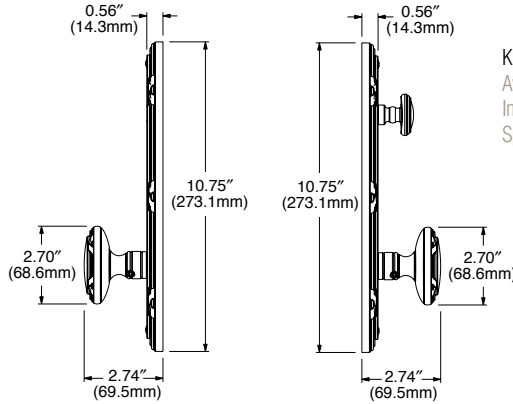
LEVER: 5108
Available as pre-pack set only.
Includes emergency egress on active set.
Split finish available.

TUBULAR – ENTRANCE SETS

6450 – OVAL EDINBURGH™ ENTRANCE



CONCEALS
CYLINDRICAL
CUT-OUT



KNOB: 5031
Available as pre-pack set only.
Includes emergency egress on active set.
Split finish available.

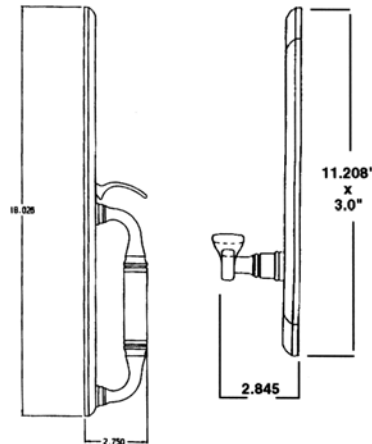
Item #	Description	Wt.	030, 031, 033 038, 040, 050 060, 102, 112 150, 151, 190 260, 264	003, 055 056, 402 412, 452
6450.xxx.ENTR	Single cylinder handleset with interior knob	8.1	\$503	562
6450.xxx.FD	Full dummy set with interior knob	5.6	411	469

Adjustable backset latch and deadbolt – 2.375" & 2.75"

6401 – DEVONSHIRE™ ENTRANCE



CONCEALS
CYLINDRICAL
CUT-OUT



LEVER: 5152
Available as pre-pack set only.
Includes emergency egress on active set.
Split finish available.

Item #	Description	Wt.	030, 031, 033 038, 040, 050 060, 102, 112 150, 151, 190 260, 264	003, 055 056, 402 412, 452
6401.xxx.RENT	Single cylinder handleset with RIGHT lever, emergency egress	8.3	\$589	635
6401.xxx.LENT	Single cylinder handleset with LEFT lever, emergency egress	8.3	589	635
6401.xxx.RFD	Full dummy set with RIGHT lever	6.2	497	543
6401.xxx.LFD	Full dummy set with LEFT lever	6.2	497	543
6401.xxx.ENTR	Single cylinder handleset emergency egress	8.3	522	557
6401.xxx.FD	Full dummy set	6.2	430	466

Adjustable backset latch and deadbolt – 2.375" & 2.75"

IMAGES – DEADBOLT SETS, MECHANICAL FEATURES

8000 SERIES

LOW PROFILE CYLINDER DEADBOLT FOR 1-5/8" (41mm) DOOR PREP

All deadbolts feature a 1/2" low-profile cylinder projection.

CASE: Deadbolt case is formed of heavy gauge steel for strength and assures solid fit in door preparations. Most interior working parts are made of solid brass for maximum strength and smooth operation.

DEADBOLT: All deadbolts are of solid brass construction. Deadbolt has .600" x .770" x 1" (15 x 20 x 25mm) throw when extended and a hardened steel insert for maximum protection and security. Deadbolt is furnished in 040 and 264 finishes to match trim.

GRADE 1: Meets Grade 1 Requirements as set forth in ANSI A156.5 Test Sections 9.1–9.11 & 10.1–10.9.

BACKSET: Adjustable backset deadbolt 2-3/8" (60mm) or 2-3/4" (70mm).

NON-HANDED design facilitates specification and installation.

STRIKE: Every deadbolt illustrated in this section is furnished with a specially-designed reinforcing strike constructed of high grade steel for ultimate strength and durability. The strike is installed with four (4) security jamb screws (including two (2) 3" screws) and a dust box and is covered with an armored front to conceal the fasteners. The 3" screws securing the reinforcing strike resist tampering and guard against theft.

CYLINDERS: The cylinder housing is protected with a free-turning exterior cylinder guard fabricated from solid brass to resist gripping or twisting. Cylinders are supplied standard with 03 keyway and two nickel silver keys. All deadbolts are furnished with 5-pin keying.

KEYING: All deadbolts are available Keyed Alike in Sets of Four (KAS4) in any configuration, provided that no specific key numbers are requested. Keep in mind that the total quantity of deadbolts ordered must be a multiple of the keyed alike quantity. Contact factory for keying to a specific key number.

KEYS are designed with a 1.25" (32mm) wide bow surface.

PACKAGING: Packaged one deadbolt per box with security strike, dust box and keys. Deadbolts are also available Keyed Alike in Sets of Four (KAS4). All products are packaged in contractor packaging unless noted.

WEIGHT: 1.8 lbs. each (.81kg); 10.8 lbs. (4.86kg) per case for standard package.

DOOR CONDITIONS: Deadbolts fit 1-5/8" (41mm) diameter cutouts. Trim rings No. 8090 available for doors drilled with 2-1/8" (54mm) diameter holes.

DOOR THICKNESS: Deadbolts fit 1-3/4" (44mm) thick doors. Deadbolt kits are available for 2" (51mm) and 2-1/4" (57mm) thick doors at an additional charge. Door spacers No. 8097 are required for 1-3/8" (35mm) thick doors.

8200 SERIES

LOW PROFILE CYLINDER DEADBOLT FOR 2-1/8" (54mm) DOOR PREP

All information identical to 8000 SERIES except where noted here

WEIGHT: 2.2 lbs. each (.99kg); 13.2 lbs. per case (5.94kg); KAS4 8.8 lbs. (4.0kg).

DOOR CONDITIONS: Deadbolts fit 2 1/8" (54mm) diameter cutouts.

DOOR THICKNESS: Deadbolts fit 1-3/4" (44mm) thick doors. Deadbolt kits are available for 2" (51mm) and 2-1/4" (57mm) thick doors at an additional charge. Door spacers No. 8297 are required for 1-3/8" (35mm) thick doors.

IMAGES – DEADBOLTS

Contemporary Deadbolt – 2 1/8" Door Prep



8244.xxx
8244S.xxx – Stainless Steel

Item #	Description	Wt.	030, 031, 038		003, 055
			030, 031, 038	040, 050, 060	
8244.xxx	Single cylinder deadbolt	2.0	\$115	120	
8244.xxx.KAS4	Single cylinder deadbolt – <i>keyed alike set of 4</i>	8.5	460	480	
8244.xxx.PAT	Single cylinder deadbolt	1.2	95	100	

Item #	Function	Wt.	102, 112, 151		320, 324
			151, 190	260, 264	
8244S.xxx	Single cylinder deadbolt (stainless steel)	1.9	115	115	
8244S.xxx.KAS4	Single cylinder deadbolt – <i>keyed alike set of 4</i> (stainless steel)	8.7	n/a	460	
8244S.xxx.PAT	Patio deadbolt (stainless steel)	1.1	95	95	

STEEL CASE: .960" Dia. x 3.312" or 3.750" extended (24 x 84 or 95mm)
FRONT: .156" x 1" x 2.25" (4 x 25 x 57mm)

IMAGES – DEADBOLTS

Contemporary Deadbolt – 1 5/8" Door Prep



8011.xxx



8041.xxx

Item #	Description	Wt.	030, 031, 038	003, 055
			040, 050, 060	056, 402
			102, 112, 150	412, 452
			151, 190	
			260, 264	
8011.xxx	Double cylinder deadbolt	1.9	\$96	103
8011.xxx.KAS4	Double cylinder deadbolt - <i>keyed alike set of 4</i>	8.1	384	412
8041.xxx	Single cylinder deadbolt	1.7	80	87
8041.xxx.KAS4	Single cylinder deadbolt - <i>keyed alike set of 4</i>	7.3	320	348

STEEL CASE: .960" Dia. x 3.312" or 3.75" extended (24 x 84 or 95mm)

FRONT: .156" x 1" x 2.25" (4 x 25 x 57mm)

Contemporary Deadbolt – 2 1/8" Door Prep



8242.xxx



8241.xxx



8241.xxx .PAT

Item #	Description	Wt.	030, 031, 038	003, 055
			040, 050, 060	056, 402
			102, 112, 150	412, 452
			151, 190	
			260, 264	
8242.xxx	Double cylinder deadbolt	2.4	\$98	108
8242.xxx.KAS4	Double cylinder deadbolt - <i>keyed alike set of 4</i>	9.9	392	432
8241.xxx	Single cylinder deadbolt	2.1	82	90
8241.xxx.KAS4	Single cylinder deadbolt - <i>keyed alike set of 4</i>	8.9	328	360
8241.xxx.PAT	Patio deadbolt	1.1	59	65

STEEL CASE: .960" Dia. x 3.312" or 3.750" extended (24 x 84 or 95mm)

FRONT: .156" x 1" x 2.25" (4 x 25 x 57mm)

Traditional Deadbolt – 1 5/8" Door Prep



8021.xxx



8031.xxx

Item #	Description	Wt.	030, 031, 038	003, 055
			040, 050, 060	056, 402
			102, 112, 150	412, 452
			151, 190	
			260, 264	
8021.xxx	Double cylinder deadbolt	2.0	\$96	103
8021.xxx.KAS4	Double cylinder deadbolt - <i>keyed alike set of 4</i>	8.2	384	412
8031.xxx	Single cylinder deadbolt	1.8	80	87
8031.xxx.KAS4	Single cylinder deadbolt - <i>keyed alike set of 4</i>	7.5	320	348

STEEL CASE: .960" Dia. x 3.312" or 3.75" extended (24 x 84 or 95mm)

FRONT: .156" x 1" x 2.25" (4 x 25 x 57mm)

IMAGES – DEADBOLTS

Traditional Deadbolt – 2 1/8" Door Prep



8232.xxx



8231.xxx



8231.xxx .PAT

Item #	Description	Wt.	030, 031, 038 040, 050, 060 102, 112, 150 151, 190 260, 264	003, 055 056, 402 412, 452
8232.xxx	Double cylinder deadbolt	2.4	\$98	108
8232.xxx.KAS4	Double cylinder deadbolt - <i>keyed alike set of 4</i>	10.2	392	432
8231.xxx	Single cylinder deadbolt	2.2	82	90
8231.xxx.KAS4	Single cylinder deadbolt - <i>keyed alike set of 4</i>	9.0	328	360
8231.xxx.PAT	Patio deadbolt	1.1	59	65

STEEL CASE: .960" Dia. x 3.312" or 3.750" extended (24 x 84 or 95mm)
FRONT: .156" x 1" x 2.25" (4 x 25 x 57mm)

Tahoe Deadbolt – 2 1/8" or 1 5/8" Door Prep



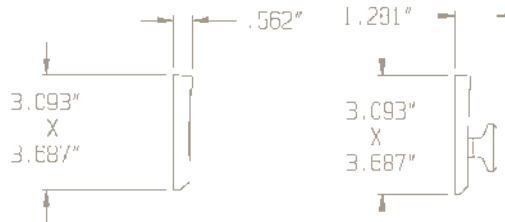
8212.xxx



8213.xxx

Item #	Description	Wt.	030, 031, 038 040, 050, 060 102, 112, 150 151, 190 260, 264	003, 055 056, 402 412, 452
8212.xxx	Double cylinder deadbolt	2.5	\$114	118
8212.xxx.KAS4	Double cylinder deadbolt - <i>keyed alike set of 4</i>	10.4	456	472
8213.xxx	Single cylinder deadbolt	2.4	96	101
8213.xxx.KAS4	Single cylinder deadbolt - <i>keyed alike set of 4</i>	9.8	384	404

STEEL CASE: .960" Dia. x 3.312" or 3.750" extended (24 x 84 or 95mm)
FRONT: .156" x 1" x 2.25" (4 x 25 x 57mm)



Bethpage™ Deadbolt – 2 1/8" Door Prep



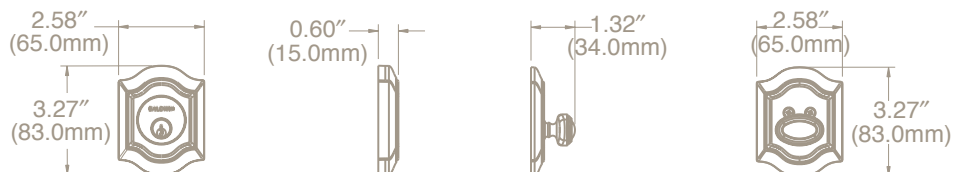
8238.xxx



8237.xxx

Item #	Description	Wt.	030, 031, 038 040, 050, 060 102, 112, 150 151, 190 260, 264	003, 055 056, 402 412, 452
8238.xxx	Double cylinder deadbolt	2.4	\$114	118
8238.xxx.KAS4	Double cylinder deadbolt - <i>keyed alike set of 4</i>	9.2	456	472
8237.xxx	Single cylinder deadbolt	2.1	96	101
8237.xxx.KAS4	Single cylinder deadbolt - <i>keyed alike set of 4</i>	9.2	384	404

STEEL CASE: .960" Dia. x 3.312" or 3.750" extended (24 x 84 or 95mm)
FRONT: .156" x 1" x 2.25" (4 x 25 x 57mm)
COLLAR DIMENSION: 2.63" W X 3.25" H X 0.5" THICK (66 X 81 X 13mm)



Soho™ Deadbolt – 2 1/8" Door Prep

030, 031, 038
040, 050, 060
102, 112, 150
151, 190
003, 055
056, 402
412, 452

Item #	Description	Wt.		
8286.xxx	Double cylinder deadbolt	2.4	\$114	118
8286.xxx.KAS4	Double cylinder deadbolt - <i>keyed alike set of 4</i>	10.2	456	472
8285.xxx	Single cylinder deadbolt	2.2	96	101
8285.xxx.KAS4	Single cylinder deadbolt - <i>keyed alike set of 4</i>	9.0	384	404



8286.xxx



8285.xxx

STEEL CASE: 8285: .960" Dia. x 3.312" or 3.750" extended (24 x 84 or 95mm)
FRONT: .156" x 1" x 2.25" (4 x 25 x 57mm)
COLLAR DIMENSION: 2.75"W X 2.88"H X 0.5" THICK (70 X 73 X 13mm)

Arched Deadbolt – 2 1/8" Door Prep

030, 031, 038
040, 050, 060
102, 112, 150
151, 190
003, 055
056, 402
412, 452

Item #	Description	Wt.		
8253.xxx	Double cylinder deadbolt	2.0	\$114	118
8253.xxx.KAS4	Double cylinder deadbolt - <i>keyed alike set of 4</i>	9.9	456	472
8252.xxx	Single cylinder deadbolt	2.0	96	101
8252.xxx.KAS4	Single cylinder deadbolt - <i>keyed alike set of 4</i>	9.0	384	404

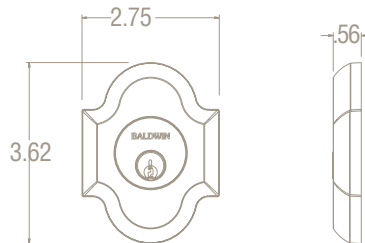


8253.xxx



8252.xxx

STEEL CASE: .960" Dia. x 3.312" or 3.750" extended (24 x 84 or 95mm)
FRONT: .156" x 1" x 2.25" (4 x 25 x 57mm)
COLLAR DIMENSION: 2.75"W X 3.62"H X 0.5" THICK (70 X 92 X 13mm)



Squared Deadbolt – 2 1/8" Door Prep

030, 031, 038
040, 050, 060
102, 112, 150
151, 190
003, 055
056, 402
412, 452

Item #	Description	Wt.		
8255.xxx	Double cylinder deadbolt	2.0	\$114	118
8255.xxx.KAS4	Double cylinder deadbolt - <i>keyed alike set of 4</i>	9.9	456	472
8254.xxx	Single cylinder deadbolt	2.0	96	101
8254.xxx.KAS4	Single cylinder deadbolt - <i>keyed alike set of 4</i>	9.0	384	404

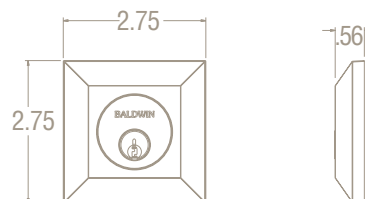


8255.xxx

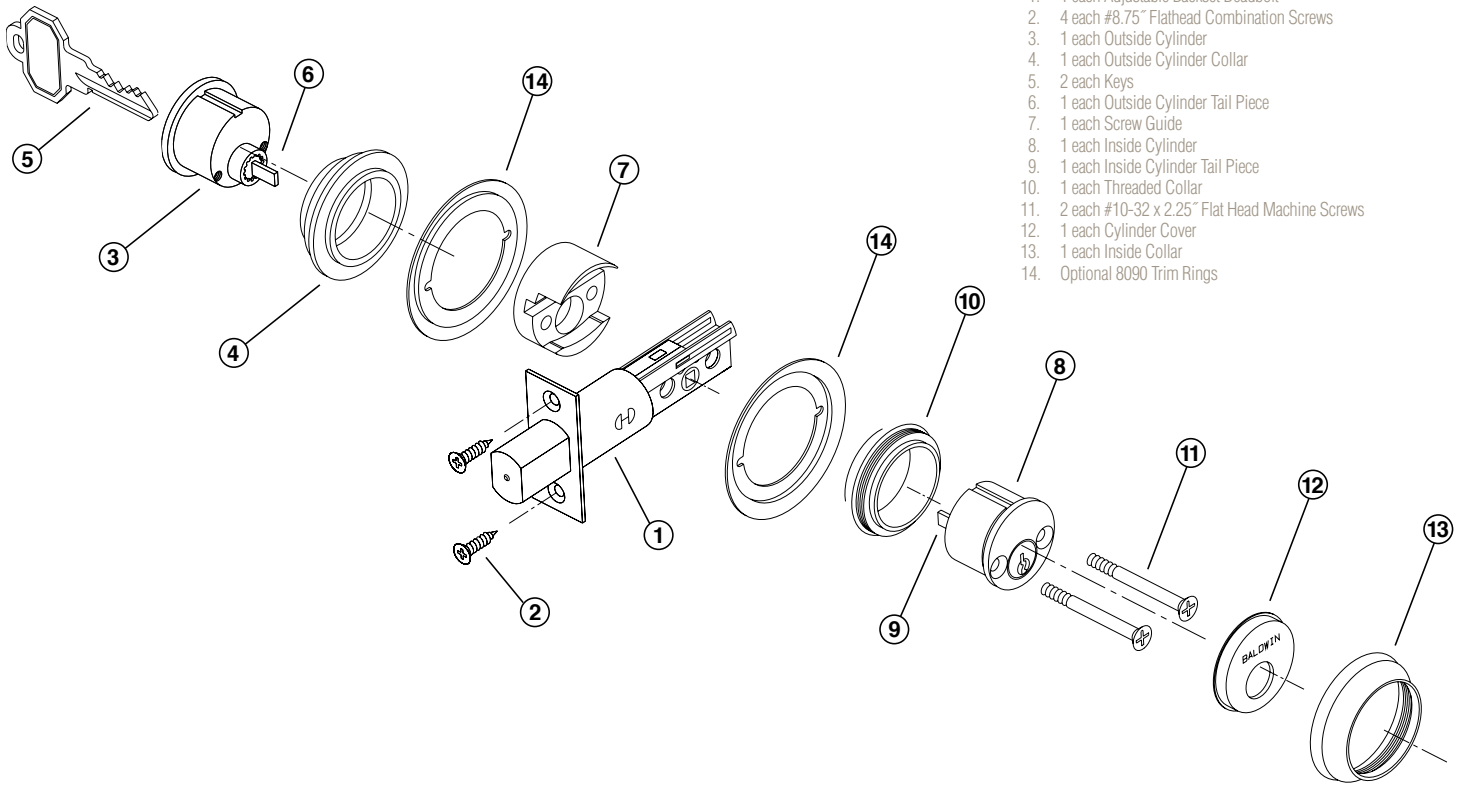


8254.xxx

STEEL CASE: .960" Dia. x 3.312" or 3.750" extended (24 x 84 or 95mm)
FRONT: .156" x 1" x 2.25" (4 x 25 x 57mm)
COLLAR DIMENSION: 2.75"W X 3.62"H X 0.5" THICK (70 X 92 X 13mm)

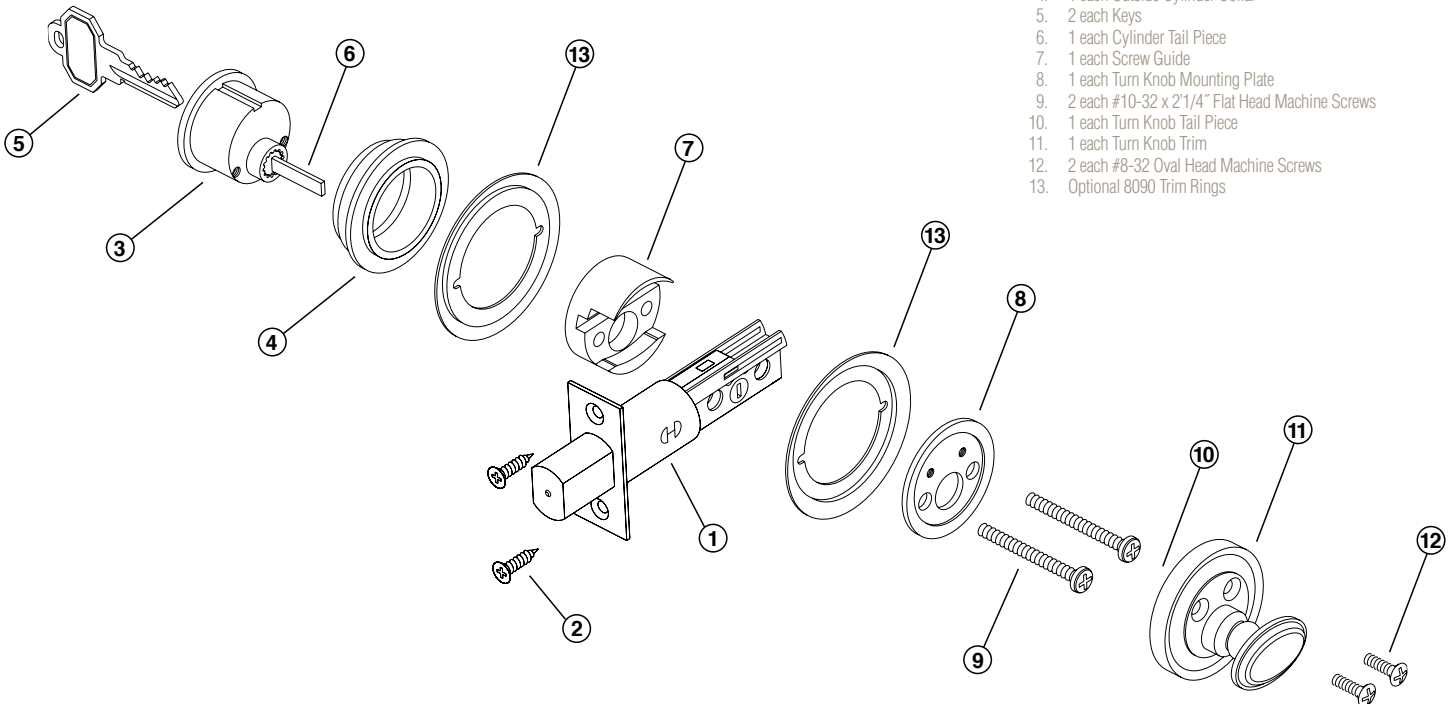


Double Cylinder Deadbolt



1. 1 each Adjustable Backset Deadbolt
2. 4 each #8.75" Flathead Combination Screws
3. 1 each Outside Cylinder
4. 1 each Outside Cylinder Collar
5. 2 each Keys
6. 1 each Outside Cylinder Tail Piece
7. 1 each Screw Guide
8. 1 each Inside Cylinder
9. 1 each Inside Cylinder Tail Piece
10. 1 each Threaded Collar
11. 2 each #10-32 x 2.25" Flat Head Machine Screws
12. 1 each Cylinder Cover
13. 1 each Inside Collar
14. Optional 8090 Trim Rings

Single Cylinder Deadbolt



1. 1 each Adjustable Backset Deadbolt
2. 2 each #8-32 x 3/4" Flat Head Machine Screws
3. 1 each Outside Cylinder
4. 1 each Outside Cylinder Collar
5. 2 each Keys
6. 1 each Cylinder Tail Piece
7. 1 each Screw Guide
8. 1 each Turn Knob Mounting Plate
9. 2 each #10-32 x 2 1/4" Flat Head Machine Screws
10. 1 each Turn Knob Tail Piece
11. 1 each Turn Knob Trim
12. 2 each #8-32 Oval Head Machine Screws
13. Optional 8090 Trim Rings

TUBULAR – DEADBOLT ACCESSORIES

Item #	Function	Std. Box	Wt.	003	030, 050, 102	
					112, 150, 151	190, 260, 264
THICK DOOR KITS FOR NEW MECHANICS						
5399.xxx.A	For all Sectional and Escutcheon Single Cylinder Entrance function handlesets to fit 2" & 2 1/4" thick door	1	.3	N/A	37	N/A
5399.xxx.B	For all Sectional and Escutcheon Double Cylinder Entrance handlesets to fit 2" & 2 1/4" thick doors	1	.4	N/A	38	N/A
5399.xxx.C	For all Emergency Egress function handlesets to fit 2" & 2 1/4" thick doors	1	.3	N/A	40	N/A
5399.xxx.D	For all Full Dummy handle functions—Sectional, Escutcheon and Emergency Egress to fit 2" & 2 1/4" thick doors	1	.1	N/A	10	N/A
CONVERSION KITS FOR NEW MECHANICS						
5399.xxx.G	For active Sectional and Escutcheon handlesets (except Tahoe®) with Interior Knobs including Single Cylinder (ENTR) and Double Cylinder (DBLC) sets	1	1.1	37	37	37
5399.xxx.H	For active Sectional and Escutcheon handlesets (except Tahoe®) with Interior Levers including Single Cylinder (LHRH) and Double Cylinder (LRDB) sets	1	1.3	37	37	37
5399.xxx.I	For active Tahoe® Sectional handlesets with Interior Knobs including Single Cylinder (ENTR) and Double Cylinder (DBLC) sets	1	1.2	37	37	37
5399.xxx.J	For active Tahoe® Sectional handlesets with Interior Levers including Single Cylinder (LHRH) and Double Cylinder (LRDB) sets	1	1.2	37	37	37
5399.xxx.K	For Full Dummy (FD or LRFD) Sectional, Escutcheon, and Emergency Egress handlesets (except Tahoe®) with a Traditional oval thumbpiece including Interior Knobs or Levers	1	.7	27	27	27
5399.xxx.L	For Full Dummy (FD or LRFD) Tahoe® handlesets with a rectangular thumbpiece including Interior Knobs or Levers Use this kit for the following Trim Set: Tahoe®	1	.6	27	27	27
5399.xxx.M	For active Emergency Egress handlesets (ENTR) with an oval egress cartridge, a Traditional oval thumbpiece, and an Interior Knob	1	2.0	41	41	41
5399.xxx.N	For active Emergency Egress handlesets (LENT or RENT) with a rectangular egress cartridge, a Traditional oval thumbpiece, and an Interior Lever	1	2.0	41	41	41
5399.xxx.O	For active Tahoe® Emergency Egress handlesets (ENTR or LHRH) with an oval egress cartridge, a rectangular thumbpiece and an Interior Knob or Lever	1	2.0	41	41	41

NOTE: All parts must be installed for proper lock function.

5399.xxx.X – CONVERSION KITS

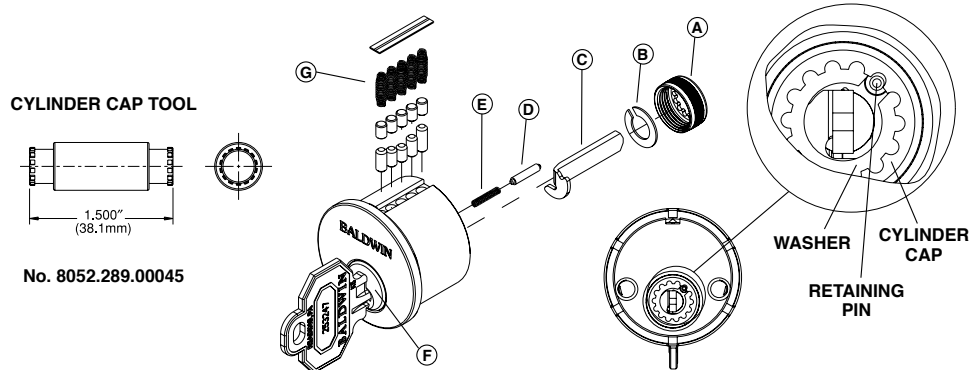
FEATURES: Each conversion kit includes tailpieces (if necessary), thru-bolts, strike plate, and instructions for modifying Images Lock sets for use on doors either 2" (51mm) or 2-1/4" (57mm) in thickness. (Must specify finish.)

WEIGHT: .21 lbs. (.09kg)

ITEM NO.	DESCRIPTION	DOOR THICKNESS
5399.xxx.A	Conversion kit for sectional and escutcheon entrance (ENTR) function lock sets	2" (51mm) & 2-1/4" (57mm)
5399.xxx.B	Conversion kit for sectional and escutcheon double cylinder (DBLC) function lock sets	2" (51mm) & 2-1/4" (57mm)
5399.xxx.C	Conversion kit for emergency Egress entrance (ENTR) function lock sets	2" (51mm) & 2-1/4" (57mm)
5399.xxx.D	Conversion kit for sectional, escutcheon, and emergency Egress dummy trim sets	2" (51mm) & 2-1/4" (57mm)

Cylinder Exploded View

- A. Cylinder Plug Cap
- B. Washer
- C. Tail Piece
- D. Retaining Pin
- E. Spring
- F. Cylinder Plug
- G. Tumbler Springs





8090.xxx – TRIM RINGS

DIMENSIONS: 2.5" Dia. (64mm)

FEATURES: Trim Rings are designed for use with installation of 8000 Series (1.625" (41mm) door prep) Deadbolts in 2.125" (54mm) diameter door preparation. One pair of rings is required for use in this application for either Double Cylinder or Cylinder/Turn piece functions. Rings are finished to match Deadbolts.

WEIGHT: 2 lb. (.09kg)

NOTE: 8090 Trim rings are not required for 8200 series deadbolts.



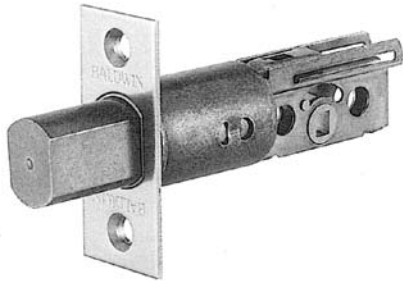
8097.xxx – CYLINDER COLLAR SPACER FOR 8000 SERIES DEADBOLTS

FOR 1.375" (35MM) DOOR

DIMENSIONS: 2" Dia. (51mm)

FEATURES: For installation on 1.375" (35mm) doors. Always used under Cylinder Collar. Two Rings are required for Double Cylinder functions. One Ring is required for Cylinder/Turn piece functions. Finished to match deadbolt cylinder collar. Available at an extra charge.

WEIGHT: 2 lb. (.09kg)



8201.xxx and 8208.xxx – DEADBOLTS

FEATURES: All Deadbolts are furnished with a 1" (25mm) throw. Each contains a saw-proof, hardened steel insert to prevent tampering. Fronts are adjustable for beveled door conditions. All deadbolts have an adjustable backset feature to accommodate 2.375" or 2.75" backsets.

PACKED: Without fasteners. Available in case quantities of twelve (12).

WEIGHT: .6 lb. (.27kg)

ITEM NO.	ADJUSTABLE BACKSET	FRONT LENGTH	FRONT WIDTH	TYPE OF LOCKSET
8201.xxx.DB	2.375" or 2.75"	2.25" (57mm)	1" (25mm)	Double Cylinder Lock sets
8208.xxx.DB	2.375" or 2.75"	2.25" (57mm)	1" (25mm)	Single Cylinder Lock sets



8297.xxx – CYLINDER COLLAR SPACER FOR 8200 SERIES DEADBOLTS

FOR 1.375" (35MM) DOOR

DIMENSIONS: 2.5" Dia. (64mm)

FEATURES: For installation on 1.375" (35mm) doors. Always used under Cylinder Collar. Two Rings are required for Double Cylinder functions. One Ring is required for Cylinder/Turn piece functions. Finished to match deadbolt cylinder collar. Available at an extra charge.

WEIGHT: .3 lb. (.14kg)



8098.000.TP03



8098.000.DC03

8098.xxx – CONVERSION KITS FOR 2" AND 2.25" DOORS

PACKED: One per box.

ITEM NO.	FUNCTION	DOOR THICKNESS
8098.000.TP03	Cylinder / Turn Piece	2" (51mm) & 2.25" (57mm)
8098.000.DC03	Double Cylinder	2" (51mm) & 2.25" (57mm)

TUBULAR – ENTRANCE SET & DEADBOLT ACCESSORIES

Item #	Function	U/M.	Wt.	003	050, 102, 112 150, 151, 190 260, 264	402, 412 452	055, 056	Other Finishes (As Marked)
K KEYWAY DEADBOLT CYLINDERS								
8022.xxx.KDS	Compatible with Kwikset & Ultra-Max – For use on sectional locksets	each	0.5	\$41	41	N/A	N/A	
8022.xxx.KDE	Compatible with Kwikset & Ultra-Max – For use on emergency Egress locksets	each	0.5	41	41	N/A	N/A	
STRIKES								
8000.xxx.RSTR	Radius corner deadbolt strike	each	0.2	9	9	9	N/A	
8000.xxx.STR	Standard security deadbolt strike	each	0.2	9	9	9	N/A	
8000.xxx.STR3	Dust box	each	0.1	N/A	N/A	N/A	N/A	849=4
CYLINDER & TURNPIECE COMPONENTS								
8011.xxx.0020	Inside cylinder	each	0.1	8	8	N/A	8	
8011.xxx.0021	Cylinder threaded sleeve for mounting inside of double cylinder deadbolt	each	0.2	N/A	N/A	N/A	N/A	039=5
8011.xxx.0031	Tumbler springs	100/pkg	0.1	N/A	N/A	N/A	N/A	109=18
8030.xxx.0003	Traditional outside cylinder collar	each	2.0	24	22	24	24	
8030.xxx.0005	Traditional inside cylinder collar	each	2.0	26	24	26	26	
8030.xxx.0510	Traditional turn knob assembly	each	0.3	54	50	54	54	
8031.xxx.TP11	Turn piece tail piece, older style handleset	each		N/A	N/A	N/A	N/A	028=2
8031.xxx.SH18	Pan head thru-bolt	each	0.1	N/A	N/A	N/A	N/A	509=1
8040.xxx.0004	Contemporary outside cylinder collar	each	0.3	24	22	24	24	
8040.xxx.0006	Contemporary inside cylinder collar	each	0.2	26	24	26	26	
8040.xxx.0510	Contemporary turn knob assembly	each	0.3	54	50	54	54	
8237.xxx.0510	Bethpage turn knob	each	0.4	61	59	61	61	
8053.xxx.TP115	Cylinder tail piece for double cylinder deadbolt — up to 2 1/4" doors	each	0.2	N/A	N/A	N/A	N/A	028=2
8053.xxx.TP425	Cylinder tail piece for single cylinder deadbolt — 1 3/4" doors	each	0.2	N/A	N/A	N/A	N/A	028=2
8053.xxx.TP525	Cylinder tail piece for single cylinder deadbolt — > 1 7/8" to 2 1/4" doors	each	0.2	N/A	N/A	N/A	N/A	028=2
8053.xxx.TP325	Cylinder tail piece for single cylinder deadbolt — 1 3/8" doors	each	0.2	N/A	N/A	N/A	N/A	028=2
8053.xxx.TP215	Cylinder tail piece for egress	each	0.1	N/A	N/A	N/A	N/A	028=2
8031.xxx.TP012	Cylinder tail piece for patio deadbolt	each	0.1	N/A	N/A	N/A	N/A	028=2
8031.xxx.KD12	Cylinder and tail piece for non-egress handleset and single cylinder deadbolts	each	0.5	34	32	34	N/A	
8031.xxx.KD22	Cylinder and tail piece for egress handlesets	each	0.5	34	32	34	N/A	
8011.xxx.KD12	Double cylinder for handlesets and deadbolts	each	0.8	68	64	68	N/A	
8052.xxx.00045	Cylinder cap tool	each	0.1	N/A	N/A	N/A	N/A	289=5
TRIM RINGS & COLLARS								
8090.xxx	Trim rings for 2 1/8" hole	pair	0.2	10	10	N/A	10	
8097.xxx	Cylinder collar spacer for 1 3/8" thick doors for 80xx series deadbolts (1 5/8" prep)	each	0.2	10	10	N/A	10	
8098.xxx.DC03	Double cylinder conv. kit for 2" & 2 1/4" thick doors	each	0.1	N/A	N/A	N/A	N/A	000=4
8098.xxx.TP03	Single cylinder conv. kit for 2" & 2 1/4" thick doors	each	0.1	N/A	N/A	N/A	N/A	000=4
8297.xxx	Cylinder collar spacer for 1 3/8" thick doors for 82xx series deadbolts (2 1/8" prep)	each	0.3	16	16	N/A	16	
DEADBOLTS								
8201.xxx.DB	Adjustable deadbolt for double cylinder	each	0.6	42	37	N/A	42	
8208.xxx.DB	Adjustable deadbolt for single cylinder & patio	each	0.6	42	37	N/A	42	