

Brass Cabinet Hinges

b

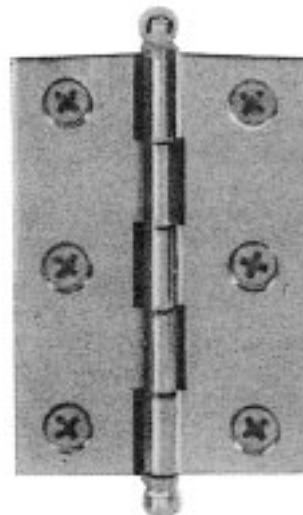
1

REVISION
APR 2005

SOLID EXTRUDED BRASS NARROW LOOSE PIN HINGES

Item No.	Length of Joint	Width Open	Thickness	Knuckles
1025	2.5" (64mm)	2" (49mm)	.093" (2.35mm)	3
1026	3" (76mm)	2.5" (64mm)	.093" (2.35mm)	5
1027	2.5" (64mm)	2.5" (64mm)	.093" (2.35mm)	5

Item No.	Wood Screw Size	Screw Qty. Per Pair	Weight Per Box	Packed Per Box
1025	No. 6 x .75" Flat Head - Phillips - Undercut	12	3 lbs. (1.36kg)	5 pairs
1026	No. 8 x .75" Flat Head - Phillips - Undercut	12	3 lbs. (1.36kg)	5 pairs
1027	No. 8 x .75" Flat Head - Phillips - Undercut	12	3 lbs. (1.36kg)	5 pairs



No. 1025 No. 1026 No. 1027

FINIAL SHOWN FOR ILLUSTRATION ONLY

FEATURES: Extruded brass hinges are machined for precise installation and smooth movement. Knuckles are milled to a clearance of .010" (.25mm) to minimize vertical wear. Furnished with stainless steel, rust-proof pins for added durability. Pins are removable to facilitate installation and alignment. Available with two styles of finials for a custom appearance on cabinet doors, bookcases, china closets, etc.

ORDERING INSTRUCTIONS: Cabinet hinges are available with decorative Ball and Urn finials. When ordering, suffix item number with either BAL or URN to indicate the style required.

Example: 1025.030.BAL indicates hinge furnished with Ball finial.
1025.030.URN indicates hinge furnished with Urn finial.

IMPORTANT: Baldwin Hinges are EXTRUDED from the finest quality brass and INDIVIDUALLY MACHINED to close tolerances. The leaves from each half pair are NOT INTERCHANGEABLE with those of any other half pair. To ensure smooth operation and prevent binding, DO NOT MIX hinge leaves during installation.

SOLID BRASS HINGE FINIALS



Ball Finial

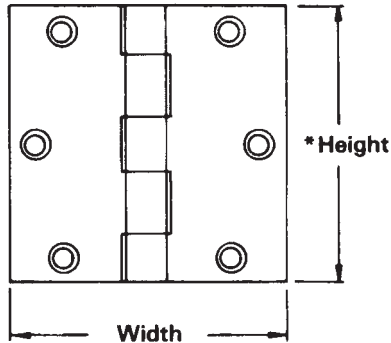


Urn Finial

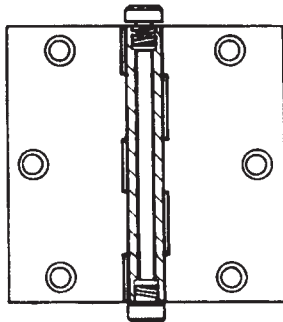
Brass cabinet hinges are available with either the Ball or Urn decorative finial. Finials are permanently attached to hinge pin and hinge, and are not interchangeable. Refer to Ordering Instructions when placing your requirements.

Hinge Specifications

FULL MORTISE HINGES SOLID EXTRUDED BRASS—STANDARD WEIGHT



*Height of hinge is always first dimension not including finial.



Hinge Construction



Button Tip



FEATURES: Extruded brass, full mortise hinges are machined for precise installation and smooth movement. Knuckles are milled to a clearance of .010" (.25mm) to minimize vertical wear. Each hinge is beveled on the inside leaf to obtain a tight fit when viewing the hinge in a closed position, and furnished with stainless steel, rust-proof pins for added durability.

PIN DESIGN: Each pin is manufactured from precision ground Type 302, stainless steel material to prevent corrosion. The pin "floats" within the barrel of the hinge, yet is held in a stationary position. Pins can be removed by unthreading each finial and tapping the pin upward from the bottom of the barrel.

FINIAL DESIGN: Hinge finials are specially designed to thread into the top and bottom of the hinge barrel, preventing the pin from rising out of the hinge barrel. All tips are completely interchangeable to facilitate stocking and eliminate excessive inventories. Finials can be purchased separately in sets of four only. Hinges are furnished standard with button design finials. For further information, refer to page B/3.

FASTENERS: All full mortise hinges are supplied standard with appropriate size wood screws as noted on page B/3. Wood screws are fully threaded to the head and have an undercut head for secure installations. Machine screws are available at no additional charge when specified accordingly.

BEVELED EDGE: Each Baldwin hinge is beveled on the inside leaf to obtain a tight fit when the hinge is in a closed position.

EXTRUSION: Hinges manufactured from solid brass extrusions have two inherent properties: exceptional strength and precision tolerances. Baldwin's extruded hinges are machined from a solid brass bar to exact tolerances to ensure an even wear between each knuckle. The result is a QUALITY hinge which can withstand above average door weights and stresses with maximum vertical and lateral wear performance.

TEMPLATE: All full mortise hinges illustrated within this section are designed in accordance with the most current specifications established by the American National Standards Institute (ANSI).

APPLICATION: Baldwin full mortise hinges are classified as STANDARD WEIGHT for installation on doors up to 1.75" (44mm) in thickness. For further details, consult Hinge Chart and Ball Bearing Hinges.

NUMBER OF HINGES: Use three hinges on doors up to and including 7.5 feet (2.3cm) and one additional hinge for each additional 2.5 feet (.76m) or fraction thereof.

NON-REMOVABLE PINS (NRP): Hinges can be obtained with non-removable pins to prevent removal of hinge pins when the door is in a closed position. This special application is used when the hinge barrel is exposed to the exterior side of a building (Reverse Bevel Door Conditions). A stainless steel set screw is inserted into the barrel from the inside of the hinge (Emblem Mark Side), which intercepts a groove milled on the pin. (Not available on Hinge No. 1030). Furnished at an additional charge.

Specify as follows: 1 pr 1040.030 NRP Hinge - 4" x 4"

METAL DOOR APPLICATION: Machine screw packets are available to accommodate mortise hinge installation for metal doors. See price list for available options.

HINGE CHART				
Item No.	Door Thickness	Door Width	Hinge Height	Hinge Width*
1030	.875"-1.125" (22-29mm)	to 36" (914mm)	3" (76mm)	3" (76mm)
1035/ 1040	1.375" (35mm)	to 32" (813mm)	3.5"-4" (89-102mm)	3.5"-4" (89-102mm)
1040	1.375" (35mm)	over 32" (813mm)	4" (102 mm)	4" (102 mm)
1040/ 1045	1.75" (44mm)	to 36" (914mm)	4"-4.5" (102-114mm)	4"-4.5" (102-114mm)
1045	1.75" (44mm)	over 36" (914mm)	4.5" (114mm)	4.5" (114mm)

*Always consider clearance between door flush with jamb and casing.

Brass Full Mortise Hinges

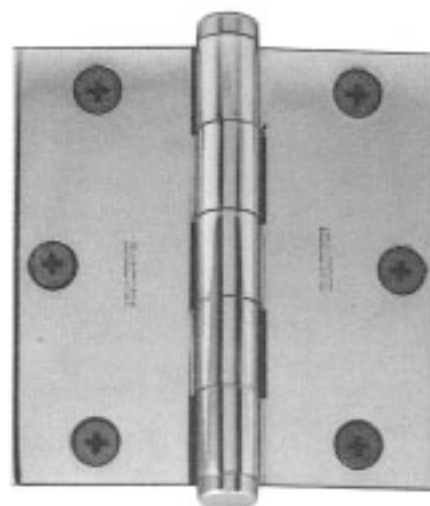
b

3

REVISION
APR 2005

SOLID EXTRUDED BRASS—STANDARD WEIGHT

- All hinges have a slight offset leaf which provides clearance of .062" (1.57mm) when leaves are closed and parallel.
- All hinges have template screw hole locations for use on either wood or hollow metal doors and frames.
- Pins are manufactured from precision ground, stainless steel material.
- All finials are threaded into the barrel of the hinge to prevent pin from rising.
- Finials are completely interchangeable with all full mortise hinge sizes.
- Furnished standard with solid brass Phillips head wood screws, undercut, fully threaded to the head.
- Inner leaf is beveled to ensure the tightest possible fit and enhance hinge appearance.
- Available with a Non-Removable Pin (NRP) feature (except No. 1030).



No. 1030 No. 1035
No. 1040 No. 1045



Item No.	Length of Joint	Width Open	Thickness	Knuckles
1030	3" (76mm)	3" (76mm)	.093" (2.35mm)	5
1035	3.5" (89mm)	3.5" (89mm)	.125" (3.18mm)	5
1040	4" (102mm)	4" (102mm)	.130" (3.30mm)	5
1045	4.5" (114mm)	4.5" (114mm)	.134" (3.40mm)	5

Item No.	Wood Screw Size	Screw Qty. Per Pair	Weight Per Box	Packed Per Box
1030	No. 10 × 1" Flat Head-Phillips - Undercut	12	1 lb. (.45kg)	1 pair
1035	No. 10 × 1" Flat Head-Phillips - Undercut	12	1.3 lbs. (.59kg)	1 pair
1040	No. 12 × 1.25" Flat Head-Phillips - Undercut	16	1.6 lbs. (.73kg)	1 pair
1045	No. 12 × 1.25" Flat Head-Phillips - Undercut	16	2 lbs. (.91kg)	1 pair

FASTENERS: Unless specified otherwise, wood screws are furnished standard as indicated above. Machine screws are available at no additional charge when specified accordingly (Nos. 1030/1035 - 10-24 × .5" FHPHMS - Undercut. Nos. 1040/1045 - 12-24 × .5" FHPHMS - Undercut).

PACKED: One pair in a box, each hinge poly-bagged with fasteners. **Also available as singles. Order as .1**

NON-REMOVABLE PINS: Furnished at an additional charge. (Not available on Hinge No. 1030.) Refer to page B/2 for ordering instructions.

ORDERING INSTRUCTIONS: Extruded full mortise hinges are available with four types of decorative finials: Ball, Urn, Acorn, and Steeple. Hinges are supplied with a button finial standard. The four styles of decorative finials must be ordered at an extra charge. Consult price list.

Example: 1040.030 Hinge - 4" × 4"
(indicates hinge with standard Button Finial)

1040.030 + 1090.030 Hinge - 4" × 4"
(indicates hinge with Ball Finial)

IMPORTANT: Baldwin Hinges are EXTRUDED from the finest quality brass and INDIVIDUALLY MACHINED to close tolerances. The leaves from each half pair are NOT INTERCHANGEABLE with those of any other half pair. To ensure smooth operation and prevent binding, DO NOT MIX hinge leaves during installation.

SOLID BRASS HINGE FINIALS



No. 1090
Ball



No. 1091
Urn



No. 1092
Acorn

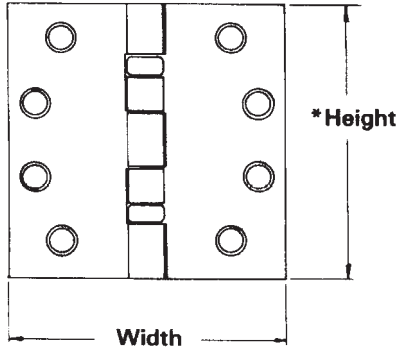


No. 1093
Steeple

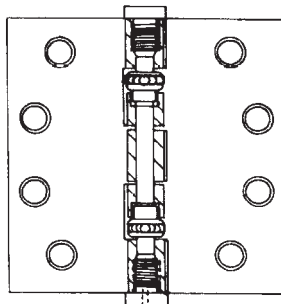
Hinge finials are specially designed to thread into the top and bottom of the hinge barrel. All finials are completely interchangeable to facilitate stocking and eliminate excessive inventories. Finials can be purchased separately in sets of four only. Packed 5 sets in a box. Consult price list.

Hinge Specifications

FULL MORTISE HINGES SOLID EXTRUDED BRASS—STANDARD WEIGHT—BALL BEARING



*Height of hinge is always first dimension not including tip.



Hinge Construction



Button Tip



FEATURES: Extruded brass, full mortise hinges are machined for precise installation and smooth movement. Knuckles are milled to a clearance of .010" (.25mm) to minimize vertical wear. Equipped with two non-detachable ball bearings to withstand greater load capacity and increase hinge life. Each hinge is beveled on the inside leaf to obtain a tight fit when viewing the hinge in a closed position. Furnished with stainless steel, rust-proof pins for added durability.

BALL BEARINGS: Each hinge is designed with two anti-friction ball bearing assemblies which are non-detachable. The balls inside each chamber are constructed from through-hardened, chrome alloy steel material to ensure a longer hinge life. The bearing races are machined from alloy steel which is then hardened and electroplated with a rust-resisting zinc-chromate finish. **Our testing indicates that although this electroplate finish provides rust protection, when exposed to weather elements of exterior, the steel will eventually rust.** The location of each assembly increases the vertical load capacity and greatly reduces both vertical and lateral wear of the hinge. As a result, all factors which normally contribute to hinge failure are significantly reduced. **BALL BEARING HINGES ARE RECOMMENDED FOR DOORS EQUIPPED WITH DOOR CLOSERS AND/OR RECEIVING AVERAGE FREQUENCY SERVICE.**

PIN DESIGN: Each pin is manufactured from precision ground Type 302, stainless steel material to prevent corrosion. The pin "floats" within the barrel of the hinge, yet is held in a stationary position. Pins can be removed by unthreading each tip and tapping the pin upward from the bottom of the barrel.

TIP DESIGN: Hinge finials are specially designed to thread into the top and bottom of the hinge barrel, preventing the pin from rising out of the hinge barrel. All finials are completely interchangeable to facilitate stocking and eliminate excessive inventories. Finials can be purchased separately in sets of four only. Hinges are furnished standard with button design finials. For further information, refer to page B/5.

FASTENERS: All full mortise hinges are supplied standard with appropriate size wood screws as noted on page B/5. Wood screws are fully threaded to the head and have an undercut head for secure installations. Machine screws are available at no additional charge when specified accordingly.

BEVELED EDGE: Each Baldwin hinge is beveled on the inside leaf to obtain the tightest possible fit when the hinge is in a closed position.

EXTRUSION: Hinges manufactured from solid brass extrusions have two inherent properties: exceptional strength and precision tolerances. Baldwin's extruded hinges are accurately machined from a solid brass bar to exact tolerances to ensure an even wear between each knuckle. The result is a **QUALITY** hinge which can withstand above average door weights and stresses with maximum vertical and lateral wear performance.

TEMPLATE: All full mortise hinges illustrated within this section are designed in accordance with the most current specifications established by the American National Standards Institute (ANSI).

APPLICATION: STANDARD WEIGHT BALL BEARING hinges are designed for medium weight doors receiving average traffic in residential and light commercial construction. Ball bearing hinges are **ALWAYS** recommended for doors equipped with door closers. For further details on applications, consult Hinge Chart.

NUMBER OF HINGES: Use three hinges on doors up to and including 7.5 feet (2.3m) and one additional hinge for each additional 2.5 feet (.76m) or fraction thereof.

NON-REMOVABLE PINS (NRP): Hinges can be obtained with non-removable pins to prevent removal of hinge pins when the door is in a closed position. This special application is used when the hinge barrel is exposed to the exterior side of a building (Reverse Bevel Door Conditions). A stainless steel set screw is inserted into the barrel from the inside of the hinge (Emblem Mark Side) which intercepts a groove milled on the pin. Furnished at an additional charge.

Specify as follows: 1 pr 1046.030 NRP Hinge - 4.5" x 4.5"

HINGE CHART

Item No.	Door Thickness	Door Width	Hinge Height	Hinge Width*
1041	1.375" (35mm)	to 36" (914mm)	4" (102mm)	4" (102mm)
1041/ 1046	1.75" (44mm)	to 36" (914mm)	4"-4.5" (102-114mm)	4"-4.5" (102-114mm)
1046/ 1051	1.75" (44mm)	over 36" (914mm)	4.5"-5" (114-127mm)	4.5"-5" (114-127mm)
1051	2"-2.25" (51-57 mm)	to 42" (1.07m)	5" (127mm)	5" (127mm)

*Always consider clearance between door flush with jamb and casing.

Brass Full Mortise Hinges

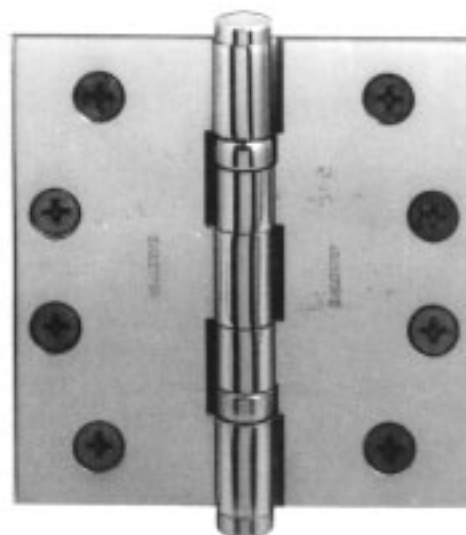
b

5

REVISION
APR 2005

SOLID EXTRUDED BRASS—STANDARD WEIGHT—BALL BEARING

- All hinges have a slight offset leaf which provides clearance of .062" (1.57mm) when leaves are closed and parallel.
- Equipped with two anti-friction ball bearing assemblies.
- All hinges have template screw hole locations for use on either wood or hollow metal doors and frames.
- Pins are manufactured from precision ground, stainless steel material.
- Finials are threaded into the barrel of the hinge to prevent pin from rising.
- Finials are completely interchangeable with all full mortise hinge sizes.
- Furnished standard with solid brass Phillips head wood screws, undercut, fully threaded to the head.
- Inner leaf is beveled to ensure the tightest possible fit on your door and to enhance hinge appearance.
- Available with a Non-Removable Pin (NRP) feature.



No. 1041 No. 1046 No. 1051



Item No.	Length of Joint	Width Open	Thickness	Knuckles
1041	4" (102mm)	4" (102mm)	.130" (3.30mm)	5
1046	4.5" (114mm)	4.5" (114mm)	.134" (3.40mm)	5
1051	5" (127mm)	5" (127mm)	.146" (3.70mm)	5

Item No.	Wood Screw Size	Screw Qty. Per Pair	Weight Per Box	Packed Per Box
1041	No. 12 x 1.25" Flat Head-Phillips - Undercut	16	1.6 lb. (.73kg)	1 pair
1046	No. 12 x 1.25" Flat Head-Phillips - Undercut	16	2 lbs. (.91kg)	1 pair
1051	No. 12 x 1.25" Flat Head-Phillips - Undercut	16	2.5 lbs. (1.13kg)	1 pair

FASTENERS: Unless specified otherwise, wood screws are furnished standard as indicated above. Machine screws are available at no additional charge when specified (No. 12-24 x .5" FHPHMS - Undercut).

PACKED: One pair in a box, each hinge poly-bagged with fasteners. Also available as singles. Order as I

NON-REMOVABLE PINS: Furnished at an additional charge. Refer to page B/4 for ordering instructions.

ORDERING INSTRUCTIONS: Extruded full mortise hinges are available with four types of decorative finials: Ball, Urn, Acorn, and Steeple. Hinges are supplied with a button finial standard. The four styles of decorative finials must be ordered at an extra charge. Consult price list.

When ordering decorative tips, suffix item number with either BAL, URN, ACN, or STL to indicate the style required.

Example: 1046.030 Hinge - 4.5" x 4.5"
(indicates hinge with standard Button Finial)

1046.030 + 1090.030 Hinge - 4.5" x 4.5"
(indicates hinge with Ball Finial)

IMPORTANT: Baldwin Hinges are EXTRUDED from the finest quality brass and INDIVIDUALLY MACHINED to close tolerances. The leaves from each half pair are NOT INTERCHANGEABLE with those of any other half pair. To ensure smooth operation and prevent binding, DO NOT MIX hinge leaves during installation.

SOLID BRASS HINGE FINIALS



No. 1090
Ball

No. 1091
Urn

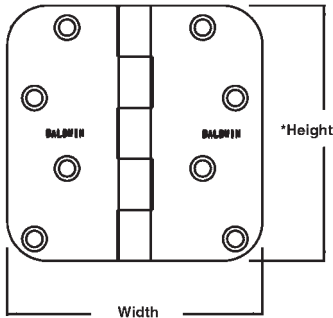
No. 1092
Acorn

No. 1093
Steeple

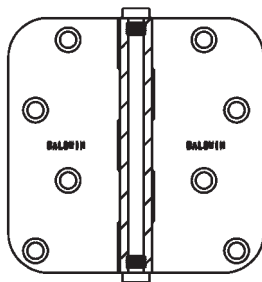
Hinge finials are specially designed to thread into the top and bottom of the hinge barrel. All finials are completely interchangeable to facilitate stocking and eliminate excessive inventories. Finials can be purchased separately in sets of four only. Packed 5 sets in a box. Consult price list.

Hinge Specifications

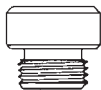
FULL MORTISE HINGES SOLID EXTRUDED BRASS—STANDARD WEIGHT—RADIUS CORNER



*Height of hinge is always first dimension not including finial.



Hinge Construction



Button Tip Standard

FEATURES: Extruded brass, full mortise hinges are machined for precise installation and smooth movement. Knuckles are milled to a clearance of .010" (.25mm) to minimize vertical wear. Each hinge is beveled inside leaf to obtain a tight fit when viewing the hinge in a closed position, and furnished with stainless steel, rust-proof pins for added durability.

PIN DESIGN: Each pin is manufactured from precision ground Stainless Steel material to prevent corrosion. The pin "floats" within the barrel of the hinge, yet is held in a stationary position. Pins can be removed by unthreading each finial and tapping the pin upward from the bottom of the barrel.

FINIAL DESIGN: Hinge finials are specially designed to thread into the top and bottom of the hinge barrel, preventing the pin from rising out of the hinge barrel. All tips are completely interchangeable to facilitate stocking and eliminate excessive inventories. Finials can be purchased separately in sets of four only. Hinges are furnished standard with button design finials. For further information, refer to page B/7.

FASTENERS: All full mortise hinges are supplied standard with appropriate size wood screws as noted on page B/7. Wood screws are fully threaded to the head and have an undercut head for secure installations.

BEVELED EDGE: Each Baldwin hinge is beveled on the inside leaf to obtain a tight fit when the hinge is in a closed position.

EXTRUSION: Hinges manufactured from solid brass extrusions have two inherent properties: exceptional strength and precision tolerances. Baldwin's extruded hinges are machined from a solid brass bar to exact tolerances to ensure an even wear between each knuckle. The result is a QUALITY hinge which can withstand above average door weights and stresses with maximum vertical and lateral wear performance.

APPLICATION: Baldwin full mortise hinges are classified as STANDARD WEIGHT for installation on doors up to 1.75" (44mm) in thickness. For further details, consult Hinge Chart.

NUMBER OF HINGES: Use three hinges on doors up to and including 7.5 feet (2.3m) and one additional hinge for each additional 2.5 feet (.76m) or fraction thereof.

HINGE CHART

Item No.	Door Thickness	Door Width	Hinge Height	Hinge Width*
1135/ 1435	1.375" (35mm)	to 32" (813mm)	3.5" (89mm)	3.5" (89mm)
1140/ 1440	1.375" (35mm)	to 32" (813mm)	4.0" (102mm)	4.0" (102mm)

*Always consider clearance between door flush with jamb and casing.

Brass Full Mortise Hinges

b

7

REVISION
APR 2005

SOLID EXTRUDED BRASS—STANDARD WEIGHT—RADIUS CORNER

- All hinges have a slight offset leaf which provides clearance of .062" (1.57mm) when leaves are closed and parallel.
- All hinges have template screw hole locations for use on either wood or hollow metal doors and frames.
- Pins are manufactured from precision ground, stainless steel material.
- All finials are threaded into the barrel of the hinge to prevent pin from rising.
- Finials are completely interchangeable with all full mortise hinge sizes.
- Furnished standard with solid brass Phillips head wood screws, undercut, fully threaded to the head.
- Inner leaf is beveled to ensure tightest possible fit and enhance hinge appearance.



No. 1135
No. 1140



No. 1435
No. 1440

Item No.	Radius	Length of Joint	Width Open	Gauge of Metal	Knuckles
1135	.625"	3.5"	3.5" (89mm)	.093" (2.35mm)	5
1140	.625"	4.0"	4.0" (101mm)	.093" (2.35mm)	5
1435	.25"	3.5"	3.5" (89mm)	.093" (2.35mm)	5
1440	.25"	4.0"	4.0" (101mm)	.093" (2.35mm)	5

FASTENERS: Unless specified otherwise, wood screws are furnished standard as indicated above.

PACKED: One pair in a box, each hinge poly-bagged with fasteners.

ORDERING INSTRUCTIONS: Extruded full mortise hinges are available with two types of decorative finials: Ball, and Steeple. Hinges are supplied with a button tip standard. The two styles of decorative finials must be ordered at an extra charge. Consult price list.

Item No.	Wood Screw Size	Screw Qty. Per Pair	Weight Per Box	Packed Per Box
1135	No. 10 × 1.0" F.H. Phillips	12	1.3 lbs. (.59kg)	1 pair
1140	No. 10 × 1.0" F.H. Phillips	16	1.6 lbs. (.73kg)	1 pair
1435	No. 10 × 1.0" F.H. Phillips	12	1.3 lbs. (.59kg)	1 pair
1440	No. 10 × 1.0" F.H. Phillips	16	1.6 lbs. (.73kg)	1 pair

IMPORTANT: Baldwin Hinges are EXTRUDED from the finest quality brass and INDIVIDUALLY MACHINED to close tolerances. The leaves from each half pair are NOT INTERCHANGEABLE with those of any other half pair. To ensure smooth operation and prevent binding, DO NOT MIX hinge leaves during installation.

SOLID BRASS HINGE FINIALS



No. 1080
Ball

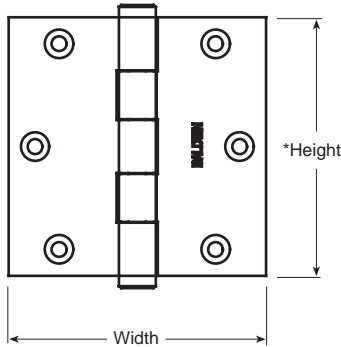


No. 1083
Steeple

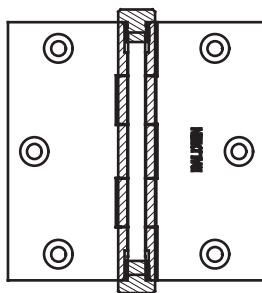
Hinge finials are specially-designed to thread into the top and bottom of the hinge barrel. All finials are completely interchangeable to facilitate stocking and eliminate excessive inventories. Finials can be purchased separately in sets of four only. Packed 5 sets in a box. Consult price list.

Hinge Specifications

FULL MORTISE HINGES SOLID EXTRUDED BRASS—LIGHT WEIGHT RESIDENTIAL



*Height of hinge is always first dimension not including tip.



Hinge Construction



Button Tip

FEATURES: Extruded brass, full mortise hinges are manufactured from solid brass.

PIN DESIGN: Each pin is manufactured from precision ground type 302 stainless steel material to prevent corrosion. The pin is lubricated to provide smooth door action. Pins can be removed by unthreading the button tip final and tapping the pin upward from the bottom of the barrel.

FASTENERS: All full mortise hinges are supplied with appropriate size solid brass wood screws. The wood screws are threaded 1" long #10 or 1.25" long #12 flat head Philips screws.

EXTRUSION: Hinges manufactured from solid brass extrusions have two inherent properties—exceptional strength and precision tolerances.

TEMPLATE: All full mortise hinges of this type are designed in accordance with the most current specifications established by the American National Standards Institute (ANSI).

APPLICATION: Baldwin residential hinges are classified as lightweight for installation on doors up to 1.75" (44mm) in thickness.

NUMBER OF HINGES: Use three (3) hinges on doors up to and including 7.5 feet (2.3cm) and one additional hinge for each additional 2.5 feet (0.76mm) or fraction thereof.

HINGE CHART

Item No.	Door Thickness	Door Width	Hinge Height	Hinge Width*
1535	1.375" (35mm)	to 32" (813mm)	3.5" (89mm)	3.5" (89mm)
1540	1.375" (35mm)	over 32" (813mm)	4.0" (102mm)	4.0" (102mm)
1545	1.75" (44mm)	to 36" (914mm)	4.5" (114mm)	4.5" (114mm)

*Always consider clearance between door flush with jamb and casing.

Brass Full Mortise Light Hinges

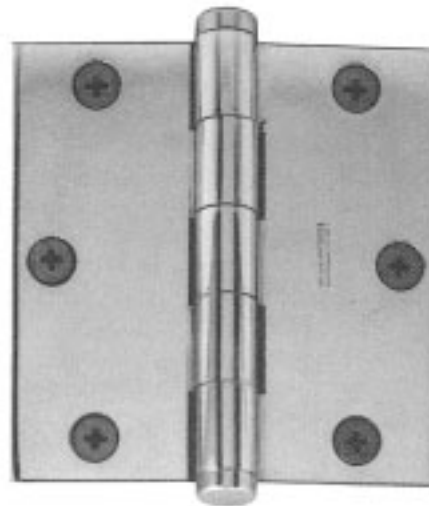
b

9

REVISION
APR 2005

SOLID EXTRUDED BRASS—LIGHT WEIGHT

- All hinges have a slight offset leaf which provides clearance of .062" (1.57mm) when leaves are closed and parallel.
- All hinges have template screw hole locations for use on either wood or hollow metal doors and frames.
- Pins are manufactured from precision ground, stainless steel material.
- All finials are threaded into the barrel of the hinge to prevent pin from rising.
- Finials are completely interchangeable with all full mortise hinge sizes.
- Furnished standard with solid brass Phillips head wood screws.
- Inner leaf is beveled to ensure the tightest possible fit and enhance hinge appearance.



No. 1535

No. 1540

No. 1545

Item No.	Length of Joint	Width Open	Thickness	Knuckles
1535	3.5" (89mm)	3.5" (89mm)	.118" (3mm)	5
1540	4.0" (102mm)	4" (102mm)	.118" (3mm)	5
1545	4.5" (114mm)	4.5" (114mm)	.118" (3mm)	5

Item No.	Wood Screw Size	Screw Qty. Per Pair	Weight Per Box	Packed Per Box
1535	No. 10 × 1" Flat Head-Phillips	12	1.23 lb. (.55kg)	1 pair
1540	No. 12 × 1.25" Flat Head-Phillips	16	1.60 lbs. (.72kg)	1 pair
1545	No. 12 × 1.25" Flat Head-Phillips	16	1.95 lbs. (.88kg)	1 pair

FASTENERS: Wood screws are furnished standard as indicated.

PACKED: One pair in a box, each hinge poly-bagged with fasteners.

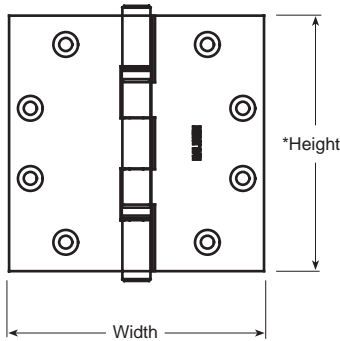
IMPORTANT: All hinges are extruded from solid brass and machined to close tolerances. To ensure smooth operation and prevent binding, do not mix hinge leaves.

NOTE: NON-REMOVABLE PINS are not available on light weight residential hinges.

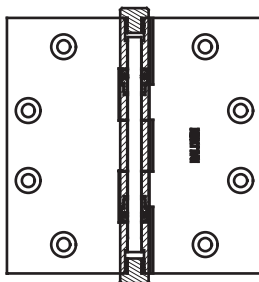
FINIALS: Only available with button tips, as furnished.

Hinge Specifications

FULL MORTISE HINGES SOLID EXTRUDED BRASS—LIGHT WEIGHT—BALL BEARING



*Height of hinge is always first dimension not including tip.



Hinge Construction



Button Tip

FEATURES: Extruded brass, full mortise hinges are manufactured from solid brass. Equipped with two (2) non-detachable ball bearings to withstand greater load capacity and increase hinge life. Furnished with stainless steel, rust-proof pins for added durability.

BALL BEARINGS: Each hinge is designed with two (2) anti-friction ball bearing assemblies which are non-detachable. The balls inside each chamber are constructed from through-hardened, chrome alloy steel material to ensure a longer life hinge.

PIN DESIGN: Each pin is manufactured from precision ground type 302 stainless steel material to prevent corrosion. The pin is lubricated to provide smooth door action. Pins can be removed by unthreading the button tip final and tapping the pin upward from the bottom of the barrel.

FASTENERS: All full mortise hinges are supplied with appropriate size solid brass wood screws. The wood screws are threaded 1" long #10 or 1.25" long #12 flat head Philips screws.

EXTRUSION: Hinges manufactured from solid brass extrusions have two inherent properties—exceptional strength and precision tolerances.

TEMPLATE: All full mortise hinges of this type are designed in accordance with the most current specifications established by the American National Standards Institute (ANSI).

APPLICATION: Baldwin residential hinges are classified as lightweight for installation on doors up to 1.75" (44mm) in thickness. Ball bearing hinges are always recommended for doors equipped with door closers.

NUMBER OF HINGES: Use three (3) hinges on doors up to and including 7.5 feet (2.3cm) and one additional hinge for each additional 2.5 feet (0.76mm) or fraction thereof.

HINGE CHART

Item No.	Door Thickness	Door Width	Hinge Height	Hinge Width*
1635	1.375" (35mm)	32" (813mm)	3.5" (89mm)	3.5" (89mm)
1640	1.75" (44mm)	to 36" (914mm)	4.0" (102mm)	4.0" (102mm)
1645	1.75" (44mm)	over 36" (914mm)	4.5" (114mm)	4.5" (114mm)

*Always consider clearance between door flush with jamb and casing.

Brass Full Mortise Light Hinges

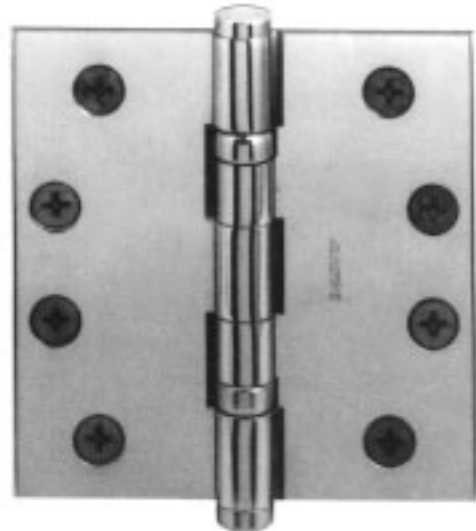
b

11

REVISION
APR 2005

SOLID EXTRUDED BRASS—LIGHT WEIGHT—BALL BEARING

- All hinges have a slight offset which provides clearance of .062" (1.57mm) when leaves are closed and parallel.
- All hinges have template screw hole locations for use on either wood or hollow metal doors and frames.
- Pins are manufactured from precision ground, stainless steel material.
- Button finials are threaded into the barrel of the hinge to prevent the pin from rising.
- Furnished standard with solid brass Phillips head wood screws.
- Inner leaf is beveled to ensure the tightest possible fit and enhance hinge appearance.



No. 1635 No. 1640 No. 1645

Item No.	Length of Joint	Width Open	Thickness	Knuckles
1635	3.5" (89mm)	3.5" (89mm)	.118" (3mm)	5
1640	4.0" (102mm)	4" (102mm)	.118" (3mm)	5
1645	4.5" (114mm)	4.5" (114mm)	.118" (3mm)	5

Item No.	Wood Screw Size	Screw Qty. Per Pair	Weight Per Box	Packed Per Box
1635	No. 10 × 1" Flat Head-Phillips	12	1.22 lb. (.55kg)	1 pair
1640	No. 12 × 1.25" Flat Head-Phillips	16	1.58 lbs. (.71kg)	1 pair
1645	No. 12 × 1.25" Flat Head-Phillips	16	1.95 lbs. (.88kg)	1 pair

FASTENERS: Wood screws are furnished standard as indicated.

PACKED: One pair in a box, each hinge poly-bagged with fasteners.

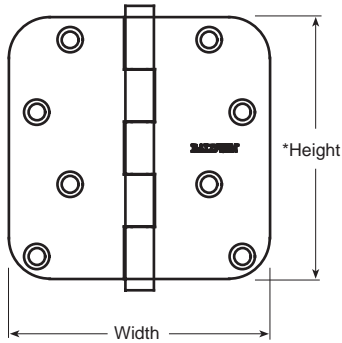
IMPORTANT: All hinges are extruded from solid brass and machined to close tolerances. To ensure smooth operation and prevent binding, do not mix hinge leaves.

NOTE: NON-REMOVABLE PINS are not available on light weight residential hinges.

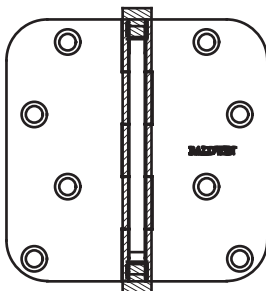
FINIALS: Only available with button tips, as furnished.

Hinge Specifications

FULL MORTISE HINGES SOLID EXTRUDED BRASS—LIGHT WEIGHT—RADIUS CORNER



*Height of hinge is always first dimension not including tip.



Hinge Construction



Button Tip

FEATURES: Extruded brass, full mortise hinges are manufactured from solid brass.

PIN DESIGN: Each pin is manufactured from precision ground stainless steel material to prevent corrosion. The pin is lubricated to provide smooth door action. Pins can be removed by unthreading the button tip final and tapping the pin upward from the bottom of the barrel.

FASTENERS: All full mortise hinges are supplied with appropriate size solid brass wood screws. The wood screws are threaded 1" long #10 or 1.25" long #12 flat head Philips screws.

EXTRUSION: Hinges manufactured from solid brass extrusions have two inherent properties—exceptional strength and precision tolerances.

APPLICATION: Baldwin residential hinges are classified as lightweight for installation on doors up to 1.75" (44mm) in thickness.

NUMBER OF HINGES: Use three (3) hinges on doors up to and including 7.5 feet (2.3cm) and one additional hinge for each additional 2.5 feet (0.76mm) or fraction thereof.

HINGE CHART

Item No.	Door Thickness	Door Width	Hinge Height	Hinge Width*
1235/ 1335	1.375" (35mm)	to 32" (813mm)	3.5" (89mm)	3.5" (89mm)
1240/ 1340	1.375" (35mm)	Over 32" (813mm)	4.0" (102mm)	4.0" (102mm)

*Always consider clearance between door flush with jamb and casing.

Brass Full Mortise Light Hinges

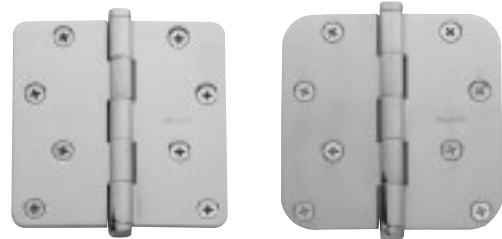
b

13

REVISION
APR 2005

SOLID EXTRUDED BRASS—LIGHT WEIGHT—RADIUS CORNER

- All hinges have a slight offset which provides clearance of .062" (1.57mm) when leaves are closed and parallel.
- All hinges have template screw hole locations for use on either wood or hollow metal doors and frames.
- Pins are manufactured from precision ground, stainless steel material.
- Button finials are threaded into the barrel of the hinge to prevent the pin from rising.
- Furnished standard with solid brass Phillips head wood screws.
- Inner leaf is beveled to ensure the tightest possible fit and enhance hinge appearance.



No. 1235
No. 1240

No. 1335
No. 1340

Item No.	Radius	Length of Joint	Width Open	Gauge of Metal	Knuckles
1235	.25"	3.5"	3.5" (89mm)	.087" (2.14mm)	5
1240	.25"	4.0"	4.0" (101mm)	.087" (2.14mm)	5
1335	.625"	3.5"	3.5" (89mm)	.087" (2.14mm)	5
1340	.625"	4.0"	4.0" (101mm)	.087" (2.14mm)	5

FASTENERS: Wood screws are furnished standard as indicated.

PACKED: One pair in a box, each hinge poly-bagged with fasteners.

IMPORTANT: All hinges are extruded from solid brass and machined to close tolerances. To ensure smooth operation and prevent binding, do not mix hinge leaves.

NOTE: NON-REMOVABLE PINS are not available on light weight residential hinges.

FINIALS: Only available with button tips, as furnished.

Item No.	Wood Screw Size	Screw Qty. Per Pair	Weight Per Box	Packed Per Box
1235	No. 10 × 1.0" F.H. Phillips	12	.975 lbs. (.44kg)	1 pair
1240	No. 10 × 1.0" F.H. Phillips	16	1.215 lbs. (.55kg)	1 pair
1335	No. 10 × 1.0" F.H. Phillips	12	.960 lbs. (.43kg)	1 pair
1340	No. 10 × 1.0" F.H. Phillips	16	1.200 lbs. (.54kg)	1 pair

b

14

REVISION
APR 2005

Brass Cabinet Hinges

**RESERVED FOR
FUTURE ADDITIONS**